



Build the

T1 Samba Camper

Pack 12



D'AGOSTINI
MODELSPACE[™]
www.model-space.com





Build the

T1 Samba Camper

STAGE

PAGE

110	Right rear light	461
111	Left side inner	465
112	Left rear light	469
113	Roof windows	473
114	Steering system	477
115	Luggage rack	481
116	Luggage rack (2)	485
117	Luggage rack (3)	489
118	The ladder	493
119	The surfboard	497
120	The luggage	501

Editorial and design by Continuo Creative, 39-41 North Road, London N7 9DP.

Published in the UK by De Agostini UK Ltd, Battersea Studios 2, 82 Silverthorne Road, London SW8 3HE.

Published in the USA by De Agostini Publishing USA, Inc., 121 E. Calhoun Street, Woodstock, IL 60098.

All rights reserved © 2020

Warning: Not suitable for children under the age of 14.

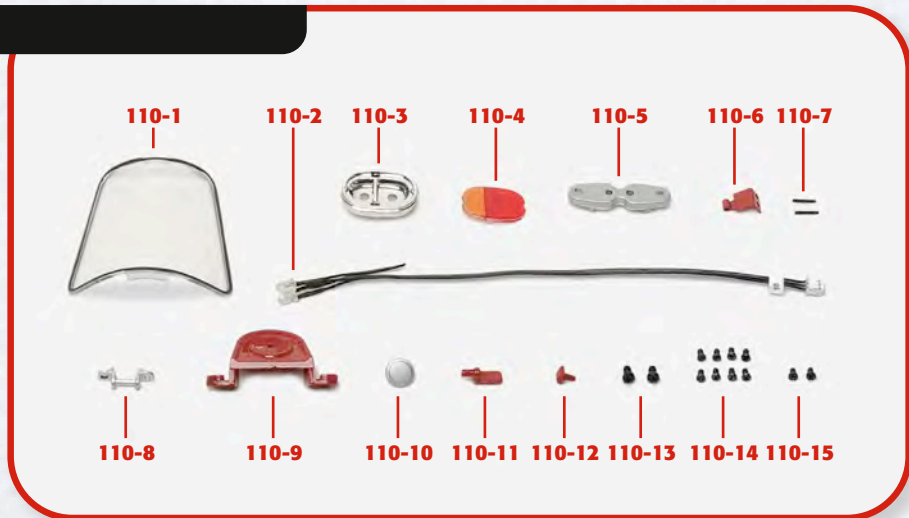
This product is not a toy and is not designed or intended for use in play.

Items may vary from those shown.

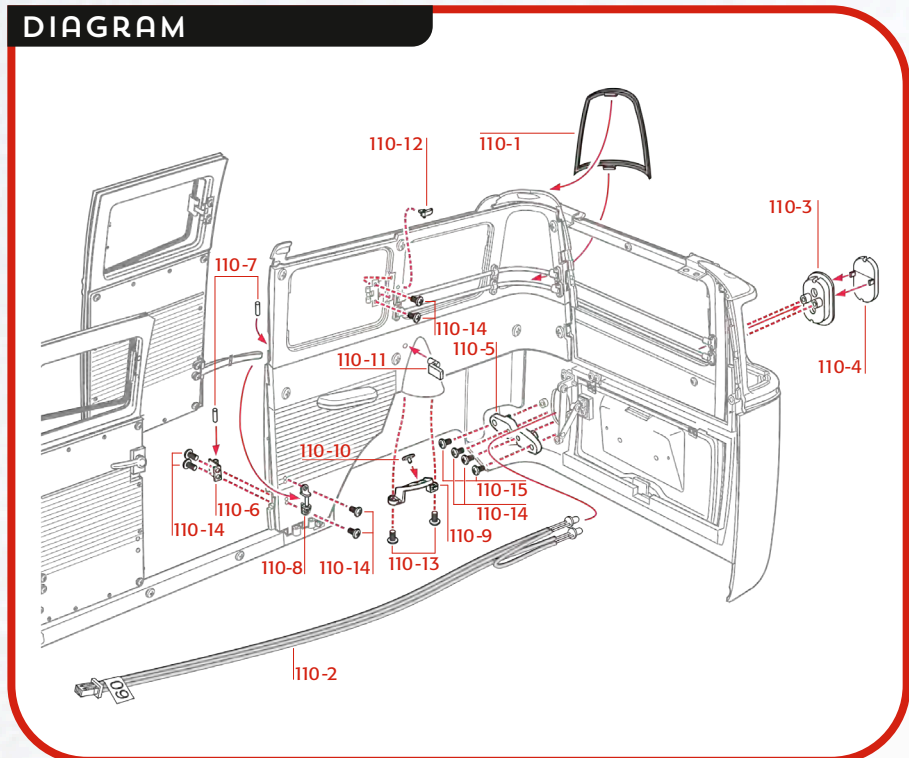
STAGE 110: RIGHT REAR LIGHT

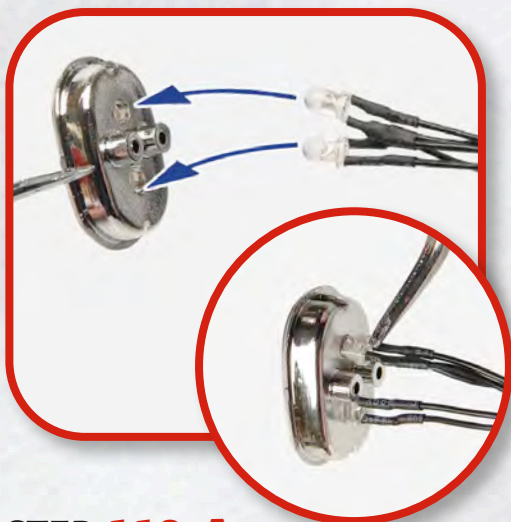
YOUR PARTS

- 110-1 Right rear corner window
- 110-2 Rear right light LEDs
- 110-3 Right rear light
- 110-4 Right rear light lens
- 110-5 Right rear light holder
- 110-6 Left side door hinge
- 110-7 Pins
- 110-8 Door stop strap holder
- 110-9 Fuel tank cap support
- 110-10 Fuel tank cap
- 110-11 Rear seat stop
- 110-12 Window latch
- 110-13 2.3 x 4mm screws (BP04)
- 110-14 Screw 1.8 x 3mm (BP09)
- 110-15 1.8 x 3mm screws (BD08)



DIAGRAM





STEP 110-A

Insert the LEDs (110-2) into the indicated holes of the right rear light (110-3).

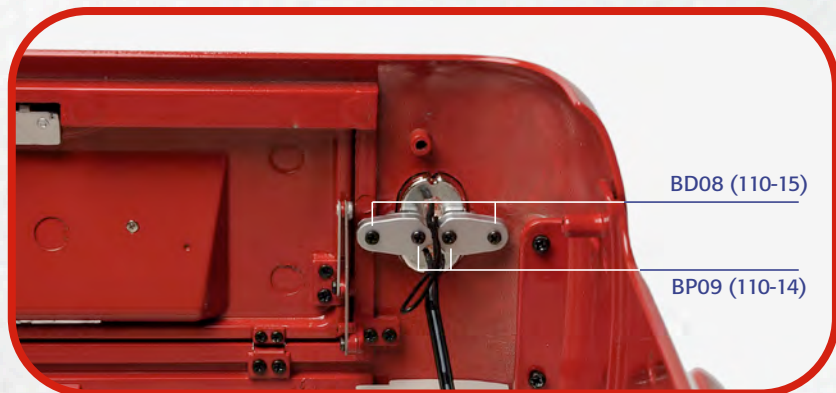


STEP 110-B

Mount the right rear light lens (110-4) onto the front of the light, as shown.

STEP 110-C

Insert the end of the LED cables through the indicated hole in the body, pulling it through until the light fits into the hole. Pass the right rear light holder (110-5) between the cables (inset).



STEP 110-D

Check that the light holder is in the position shown above and fix in place with four screws: two BP09 (110-14) in the centre, to the rear light, and two BD08 (110-15) at the ends, to the body.

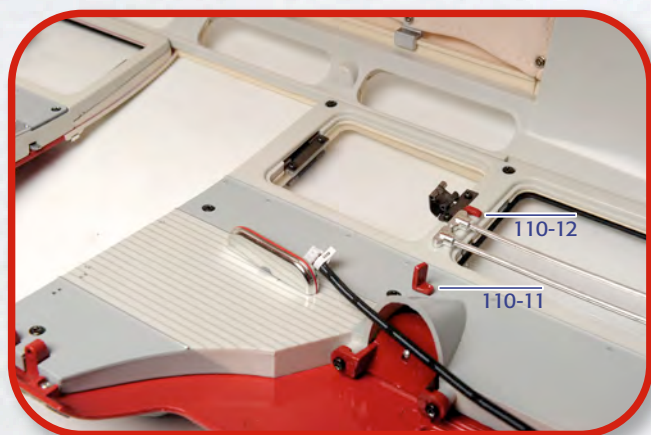
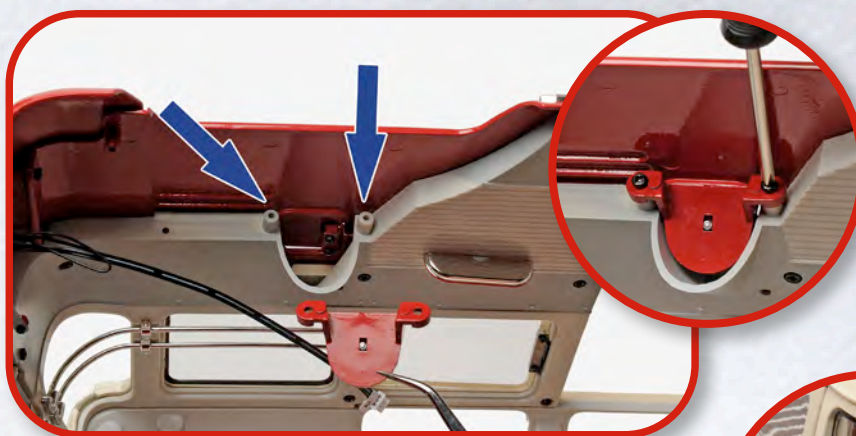


STEP 110-E

Insert the pin on the inside of the fuel tank cap (110-10) into the hole in the support (110-9).

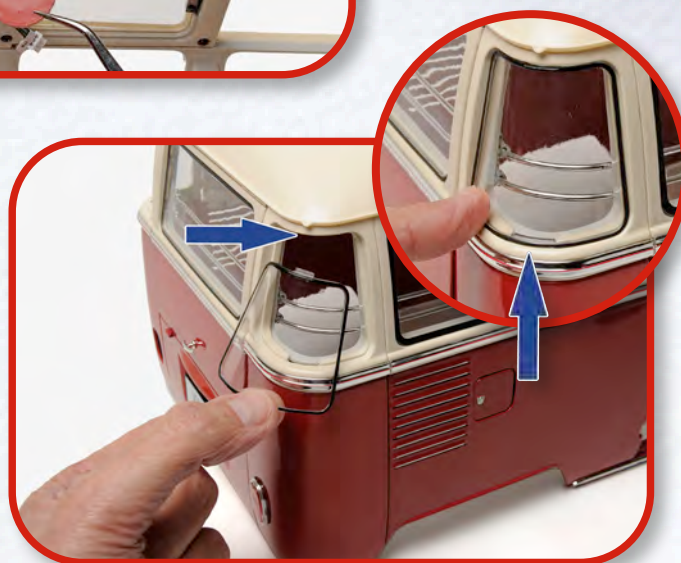
STEP 110-F

Place the fuel tank cap support onto the indicated posts on the right interior. Secure the support with two BP04 screws (110-13).



STEP 110-G

Then place the rear seat stop (110-11) and the window latch (110-12) over the indicated holes in the right interior.



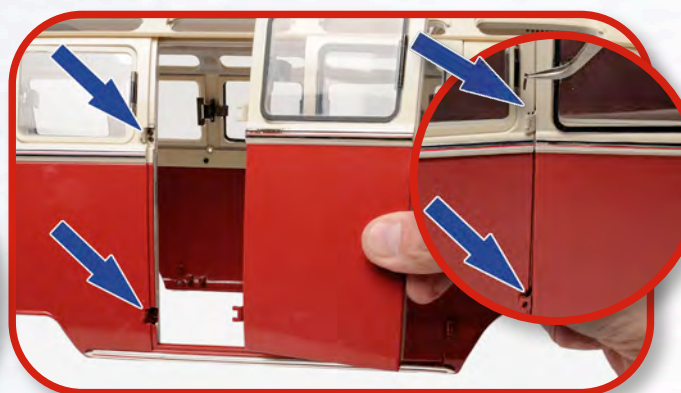
STEP 110-H

Press the right rear corner window (110-1) into the space in the rear of the body.



STEP 110-I

Place the hinge (110-6) into the indicated slot at the bottom of the door frame on the right side of the body and secure it with two BP09 screws (110-14).



STEP 110-J

Recover the left side door (Stage 78) and mount it onto the hinges on the body. Insert the pins (110-7) into the hinges, smooth ends first.

VW Samba

STEP 110-K

Pass the door stop strap holder (110-8) through the strap and secure it to the side with two BP09 screws (110-14).



STAGE COMPLETE



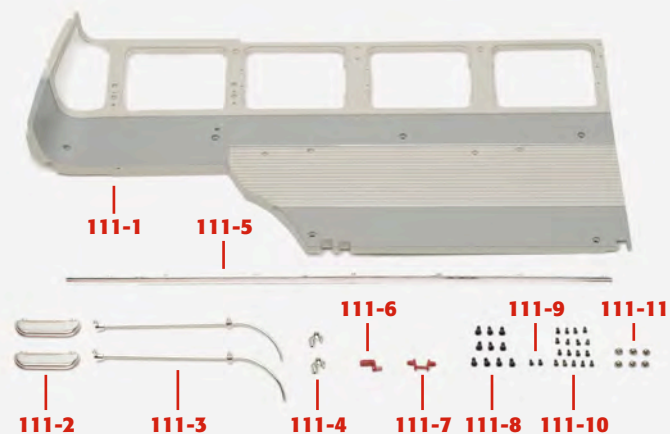
WHERE THE PARTS FIT



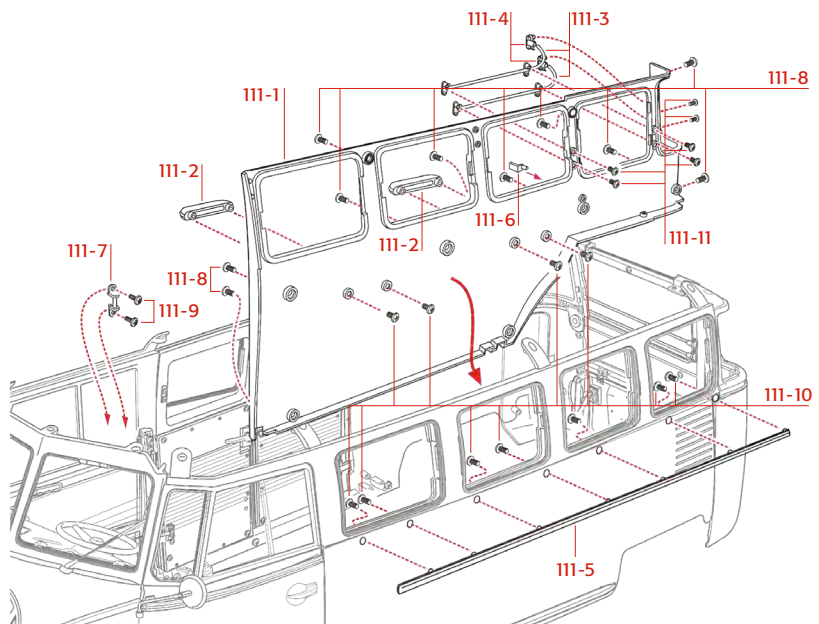
STAGE 111: LEFT SIDE INNER

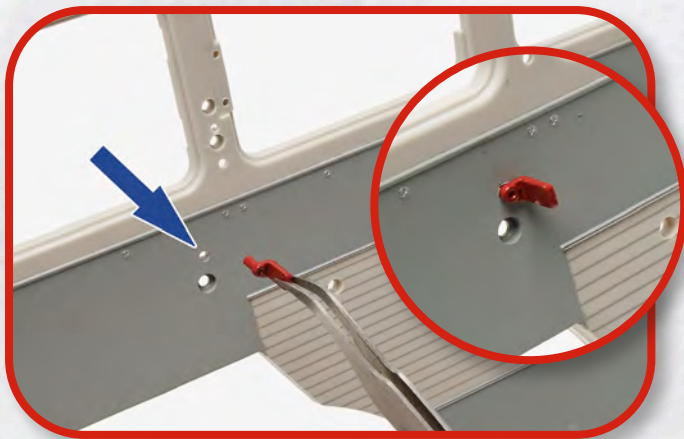
YOUR PARTS

- 111-1 Left side inner
- 111-2 Armrests
- 111-3 Bars
- 111-4 Bar brackets
- 111-5 Left side trim
- 111-6 Rear seat stop
- 111-7 Door stop strap holder
- 111-8 Screws 2.3 x 4mm (BD04)
- 111-9 Screws 1.8 x 3mm (BD08)
- 111-10 Screws 1.8 x 3mm (BP09)
- 111-11 Screws 1.8 x 3mm (BP12)



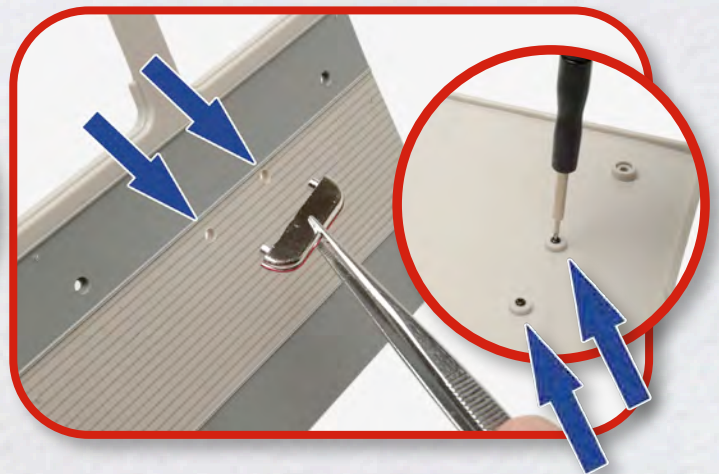
DIAGRAM





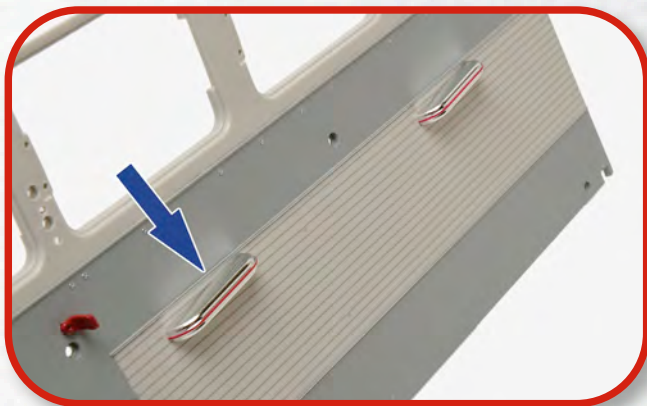
STEP 111-A

Insert the rear seat stopper (111-6) into the indicated hole in the left side inner (111-1), positioned as shown.



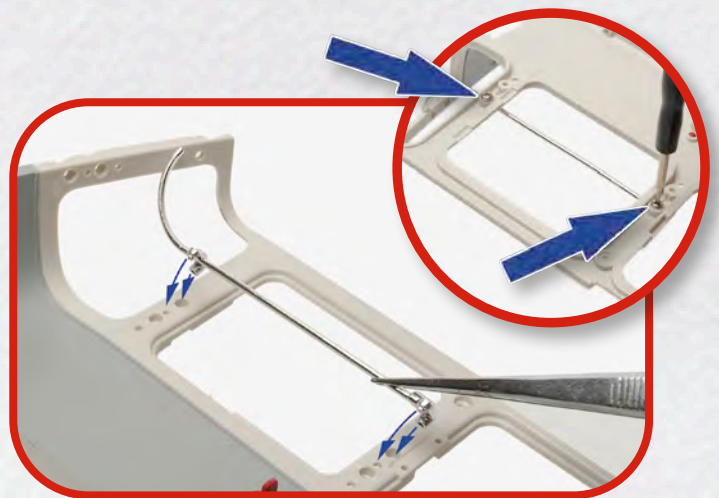
STEP 111-B

Insert one of the armrests (111-2) into the indicated holes in the left side inner. Secure it from the inside with two BP09 screws (111-10).



STEP 111-C

Mount the second armrest (111-2) in the same way in the position shown in the photo.

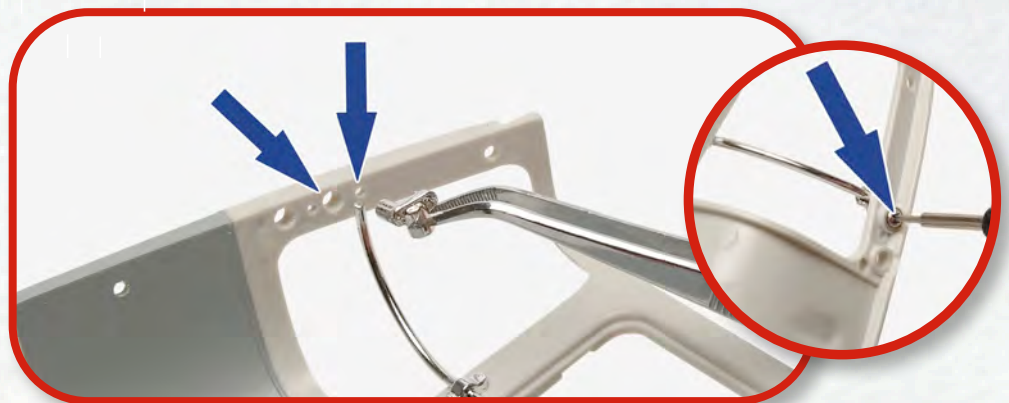


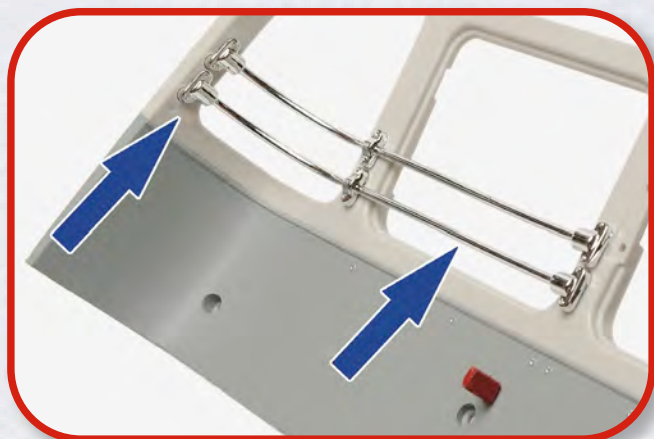
STEP 111-D

Then insert the posts of one of the bars (111-3) into the indicated holes in the left side inner and secure with two BP12 screws (111-11).

STEP 111-E

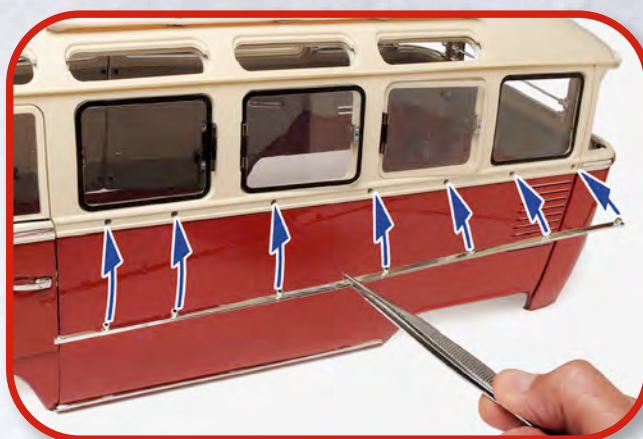
Fix one of the bar brackets (111-4) on the rear upright, with the end of the bar placed into it. Secure the support to the inner with a BP12 screw (111-11).





STEP 111-F

Repeat Steps 111-D and 111-E to install the second bar (111-3) and its corresponding bracket (111-4).

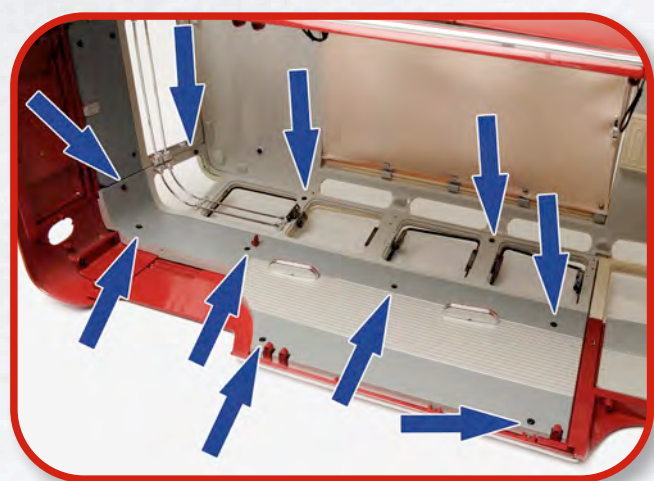
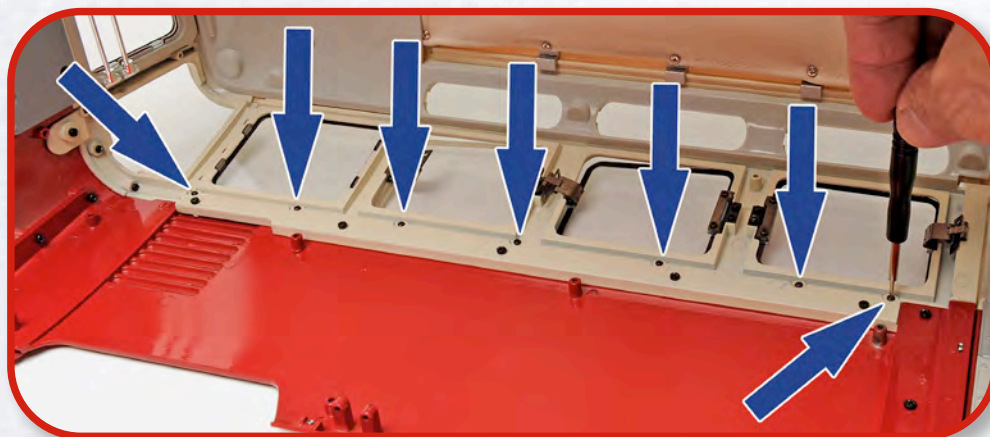


STEP 111-G

Insert the left side trim (111-5) into the indicated holes under the windows on the left side of the body.

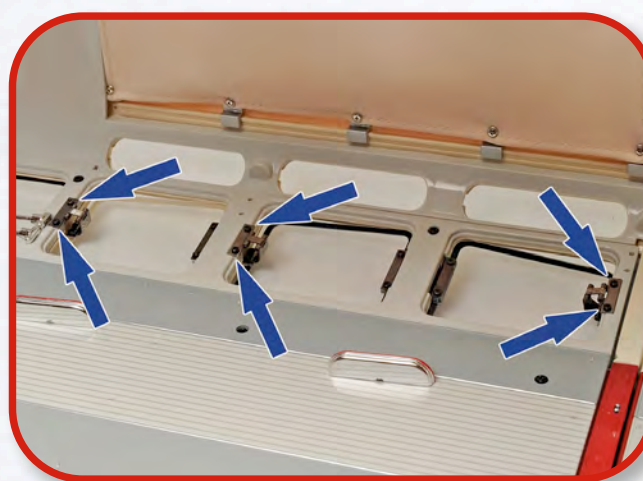
STEP 111-H

Secure the trim from the inside with seven BP09 screws (111-10).



STEP 111-I

Then place the left side inner inside the body and secure it with ten BD04 screws (111-8).



STEP 111-J

Fix the window opening mechanisms to the inner with six BP09 screws (111-10).

VW Samba

STEP 111-K

Place the door stop strap holder (111-7) through the strap loop and secure it to the body with two BD08 screws (111-9).



STAGE
COMPLETE

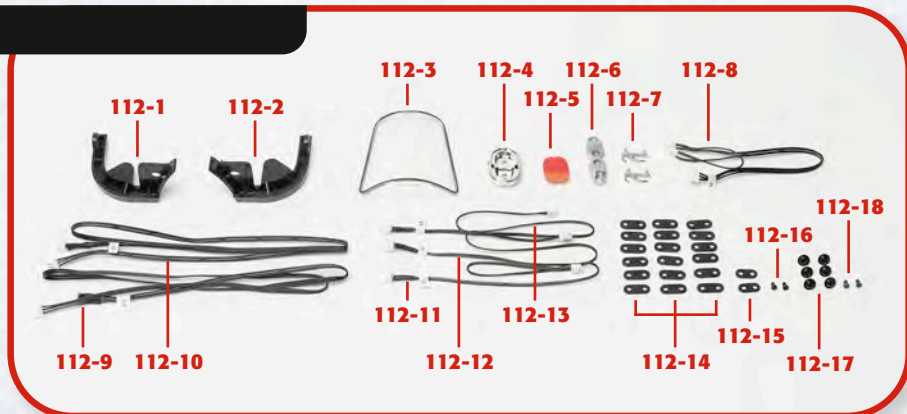
WHERE THE PARTS FIT



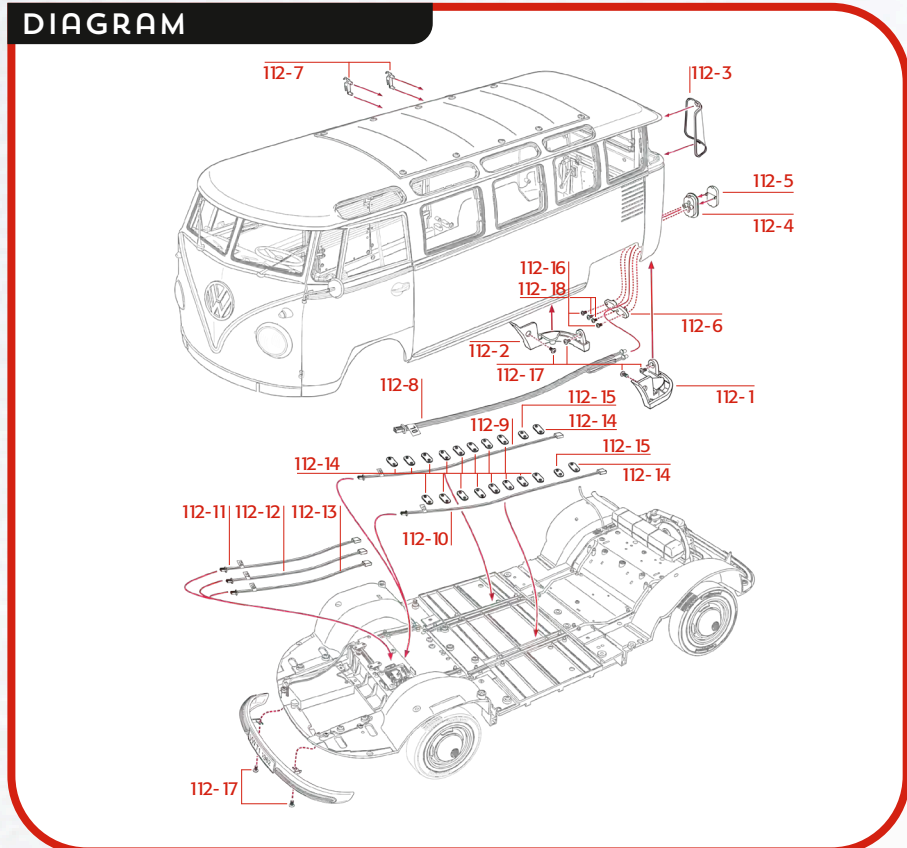
STAGE 112: LEFT REAR LIGHT

YOUR PARTS

- 112-1 Left chassis support
- 112-2 Right chassis support
- 112-3 Left rear corner window
- 112-4 Left rear light
- 112-5 Left rear light lens
- 112-6 Left rear lamp holder
- 112-7 Hooks
- 112-8 Left rear light LEDs
- 112-9 Cable 09
- 112-10 Cable 10
- 112-11 Cable 06
- 112-12 Cable 07
- 112-13 Cable 08
- 112-14 Tabs
- 112-15 Tabs (small)
- 112-16 Screws 1.8 x 3mm (BD08)
- 112-17 Screws 2.3 x 3mm Ø5.5 (BD09)
- 112-18 Screws 1.8 x 3mm (BP09)



DIAGRAM





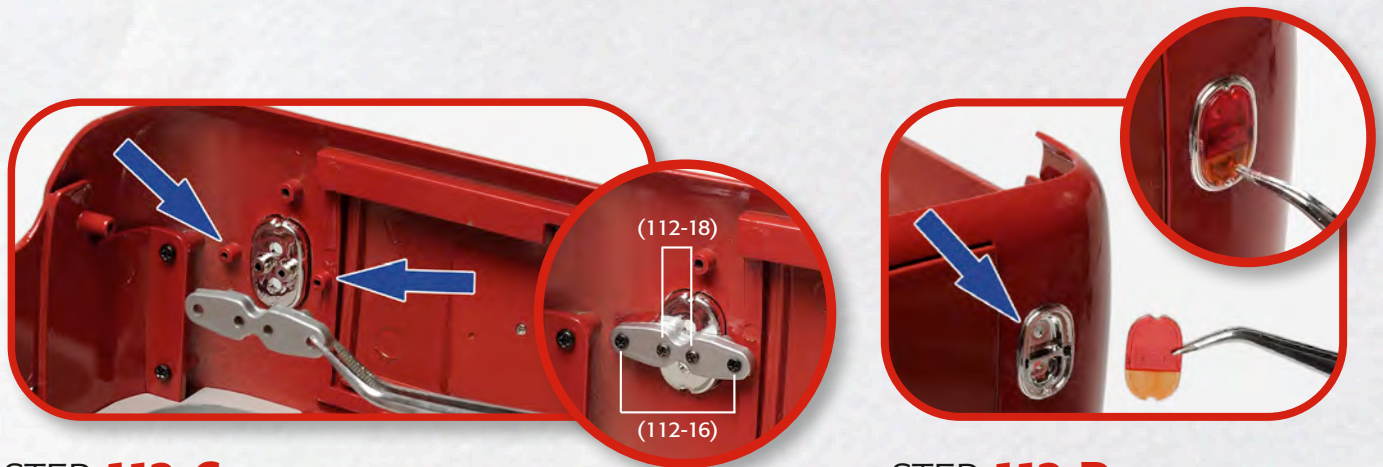
STEP 112-A

Press the left rear corner window (112-3) into the indicated space in the body.



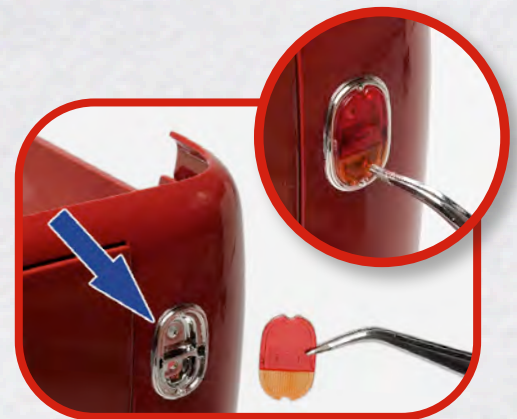
STEP 112-B

Fit the left rear light (112-4) into the corresponding space in the body.



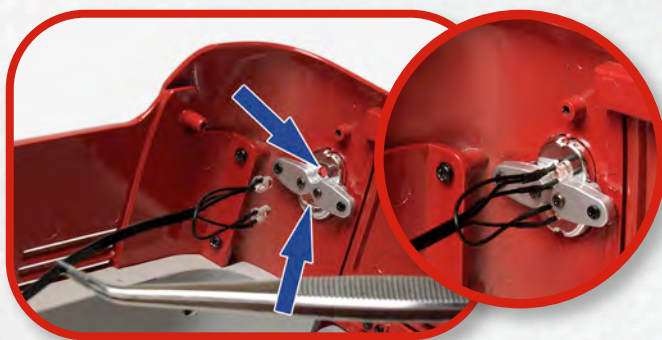
STEP 112-C

Place the light holder (112-6) over the light and secure with two BP09 screws (112-18) in the centre and two BD08 screws (112-16) at the ends.



STEP 112-D

Place the lens (112-5) into the light from the outside.



STEP 112-E

Insert the LEDs (112-8) into the indicated holes in the rear of the light.



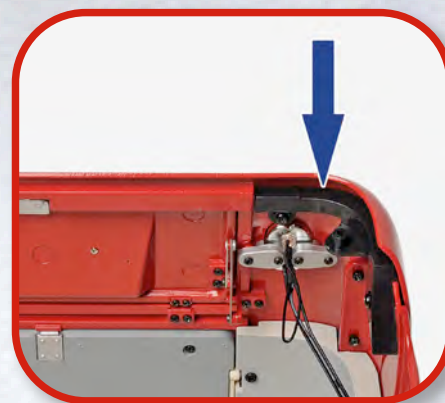
STEP 112-F

Fit the hooks (112-7) into the indicated holes in the interior.



STEP 112-G

Place the left chassis support (112-1) onto the two posts on the inside of the body. Secure the support with two BD09 screws (112-17).



STEP 112-H

Then place the right chassis support (112-2) in the same way and secure it in the same way with another two BD09 screws (112-17)



STEP 112-I

Recover the front bumper (Stage 3) and secure it to the front of the chassis with two BD09 screws (112-17).

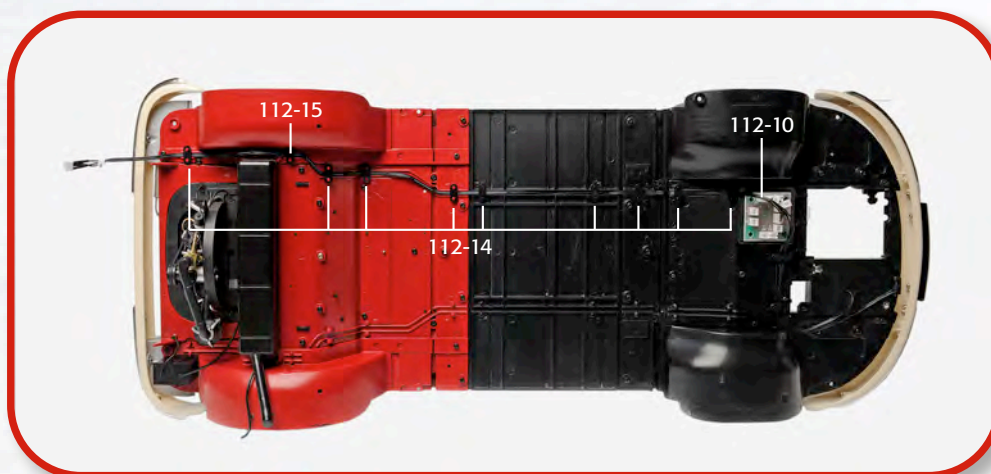


STEP 112-J

Insert the cable 10 (112-10) into the corresponding socket in the circuit board.

STEP 112-K

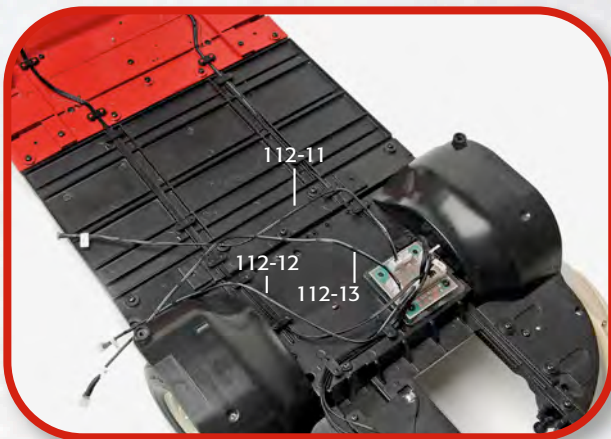
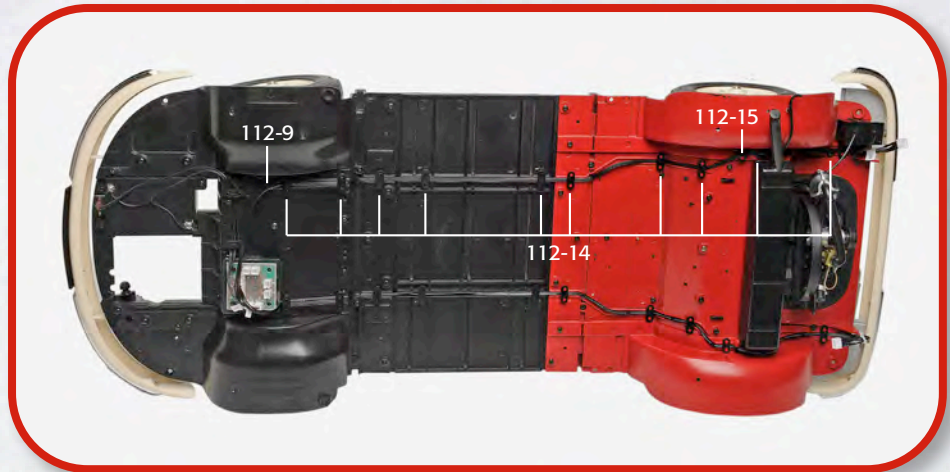
Pass the cable along the length of the channel in the left side of the chassis and fix it in place with on it with nine tabs (112-14) and one small tab (112-15).



VW Samba

STEP 112-L

Repeat Steps 112-J and 112-K for cable 09 (112-9). Insert it into its corresponding socket, pass back through the channel and then secure with nine tabs (112-14) and one small tab (112-15).



STEP 112-M

Fit cables 06 (112-11), 07 (112-12) and 08 (112-13) into their corresponding sockets in the circuit board.

STAGE COMPLETE

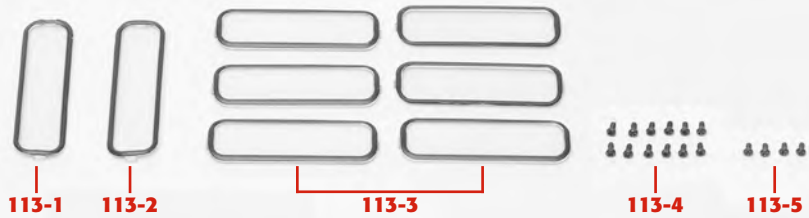
WHERE THE PARTS FIT



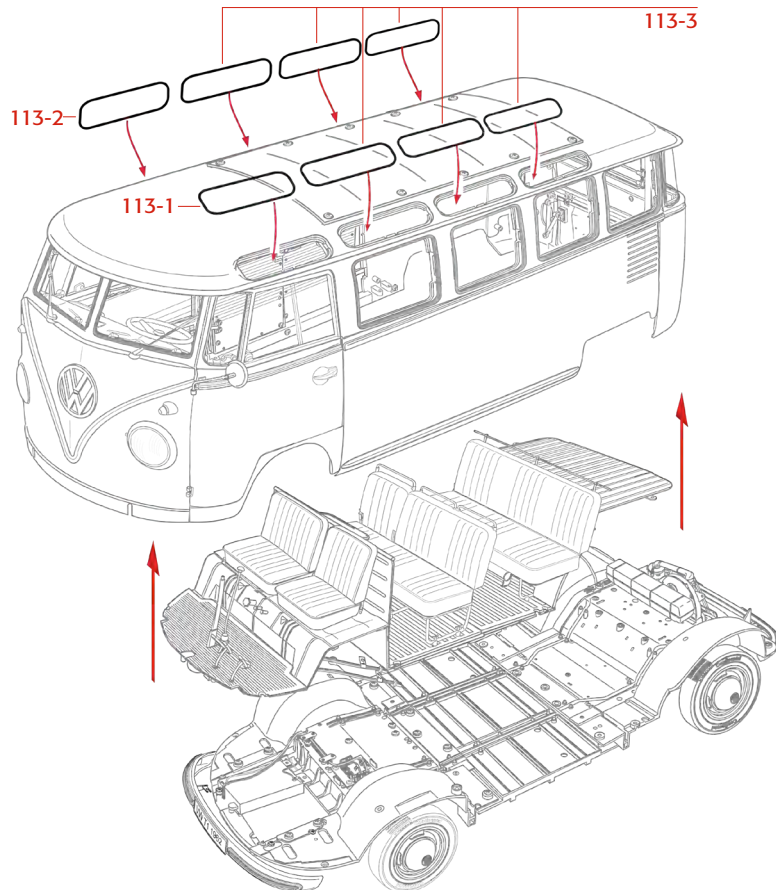
STAGE 113: ROOF WINDOWS

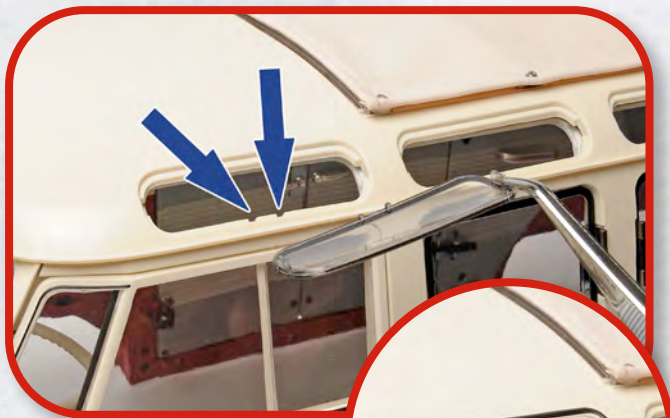
YOUR PARTS

- 113-1 Roof window (front left)
- 113-2 Roof window (front right)
- 113-3 Roof window (other)
- 113-4 Screws 2.3 x 4mm (BD04)
- 113-5 Screws 2.3 x 4mm (BP04)



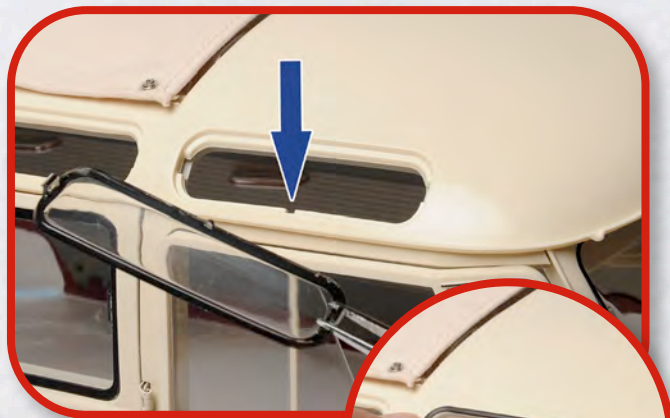
DIAGRAM





STEP 113-A

The left front window (113-1) has two pins along the bottom edge that correspond with two notches in the window opening. Insert the pins into the notches and then press the window into place.



STEP 113-B

The right front window (113-2) has only one pin along the bottom edge. Insert this into the corresponding notch in the opening and press the window into place.

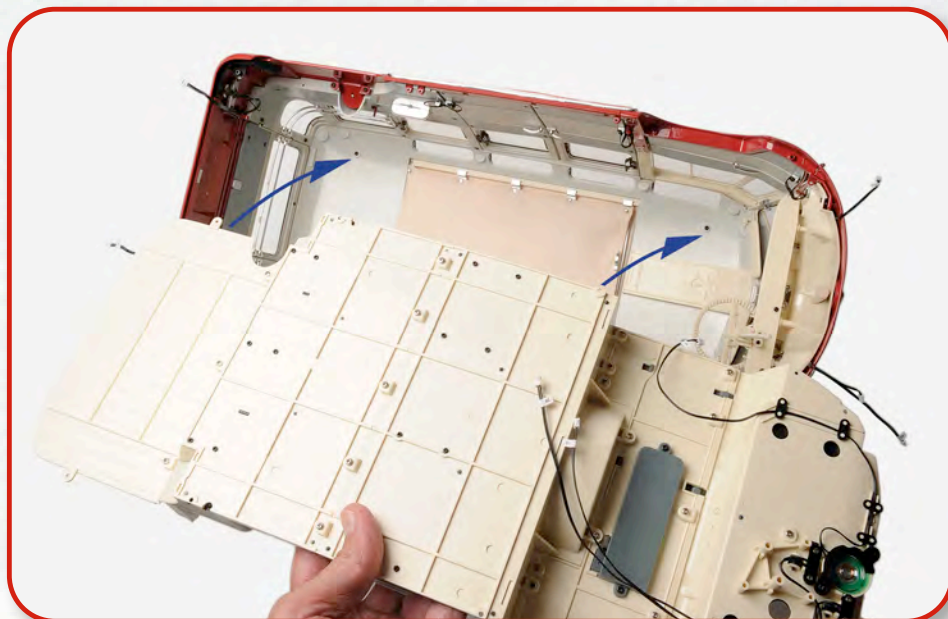
STEP 113-C

The other windows have tabs at the sides that engage with notches in the other openings. Fit the rest of the windows into place.



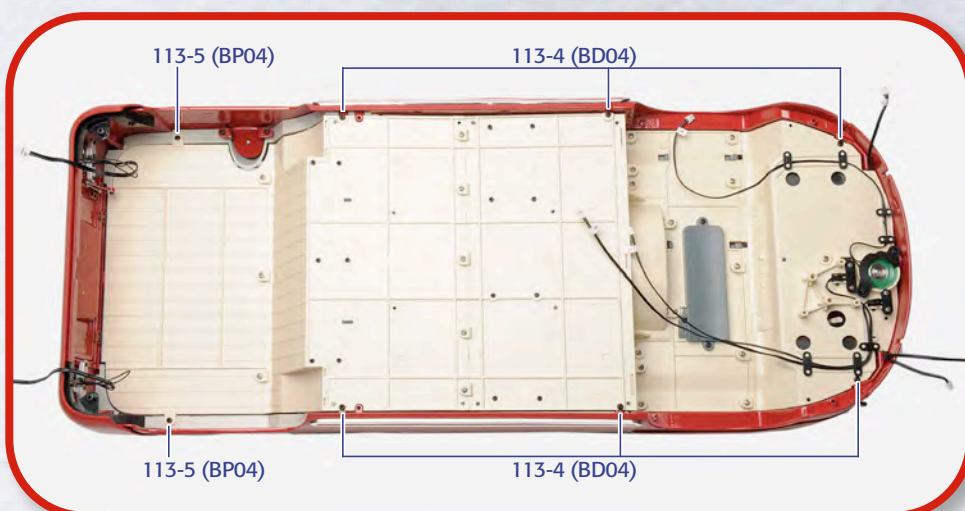
STEP 113-D

Retrieve the interior assembly, and carefully place it inside the body. Move all the cables out of the way.



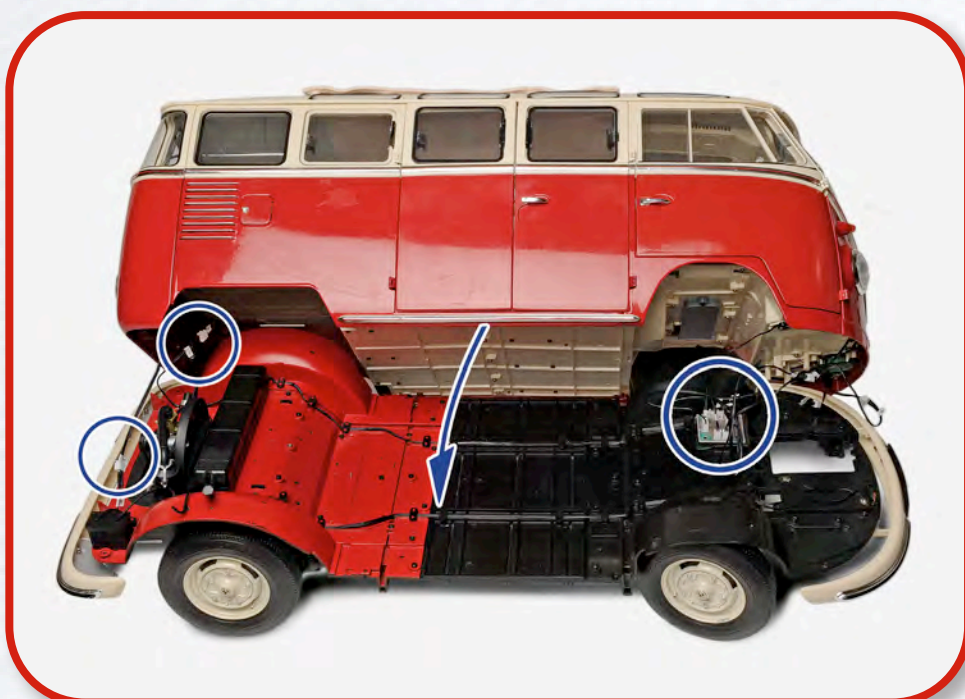
STEP 113-E

Check that the interior looks like the one shown here. Fix it in position with two BP04 screws (113-5) at the back and six BD04 screws (113-4) for the centre and front.



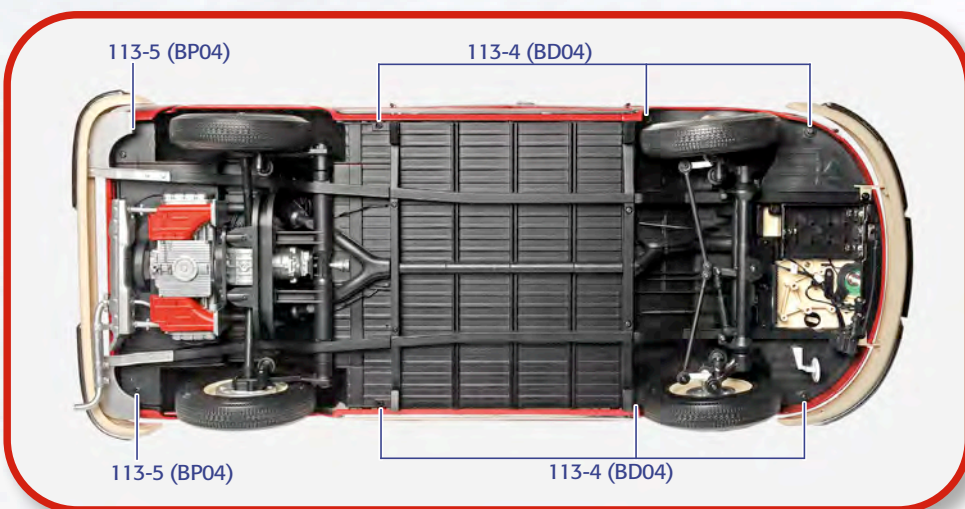
STEP 113-F

Retrieve the chassis and connect the cables of the body and interior to their corresponding cables and sockets on the chassis. Cable 1 should connect to socket 2 of the circuit board, and cable 2 to socket 1.



STEP 113-G

With the cables connected, place the chassis into the bottom of the body and secure it with two BP04 screws (113-5) at the back, and six BD04 screws (113-4), along the sides and at the front.



VW Samba



STAGE COMPLETE

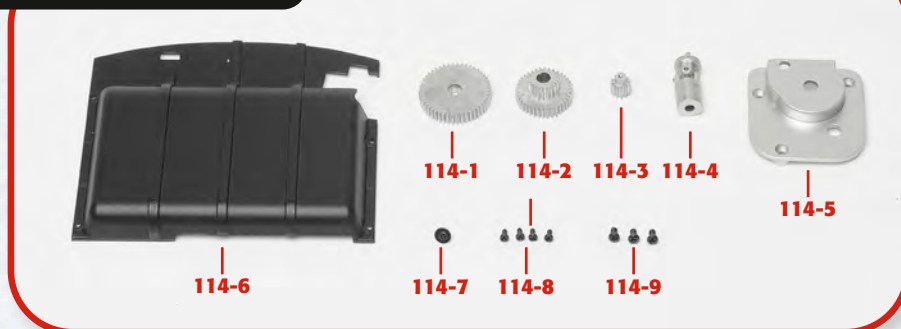
WHERE THE PARTS FIT



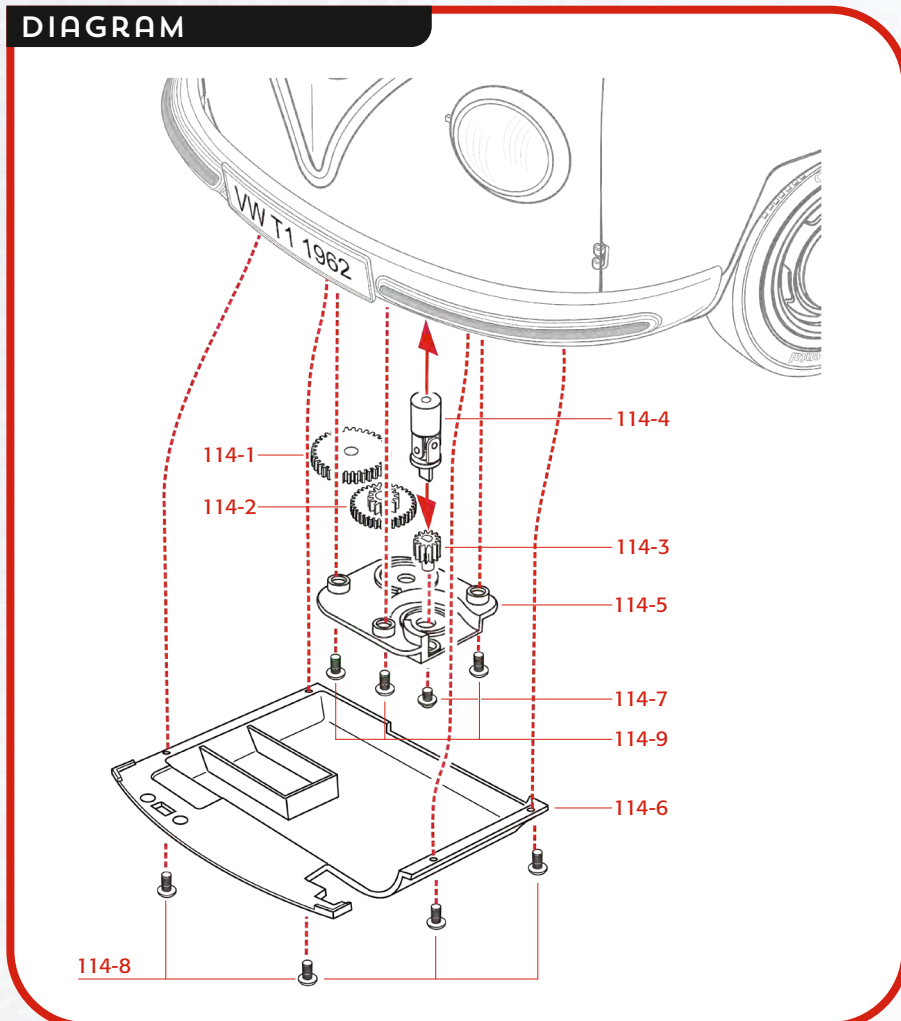
STAGE 114: STEERING SYSTEM

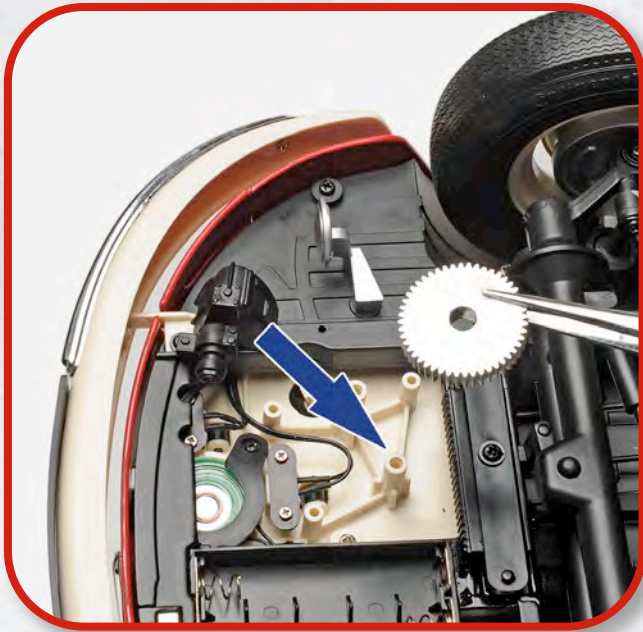
YOUR PARTS

- 114-1 Gear (large)
- 114-2 Gear (small)
- 114-3 Pinion
- 114-4 Joint
- 114-5 Gear case
- 114-6 Front lower cover
- 114-7 Screws 1.8 x 3mm Ø4.5 (BD10)
- 114-8 Screws 1.8 x 3.5mm (BD03)
- 114-9 Screws 2.3 x 4mm (BP04)



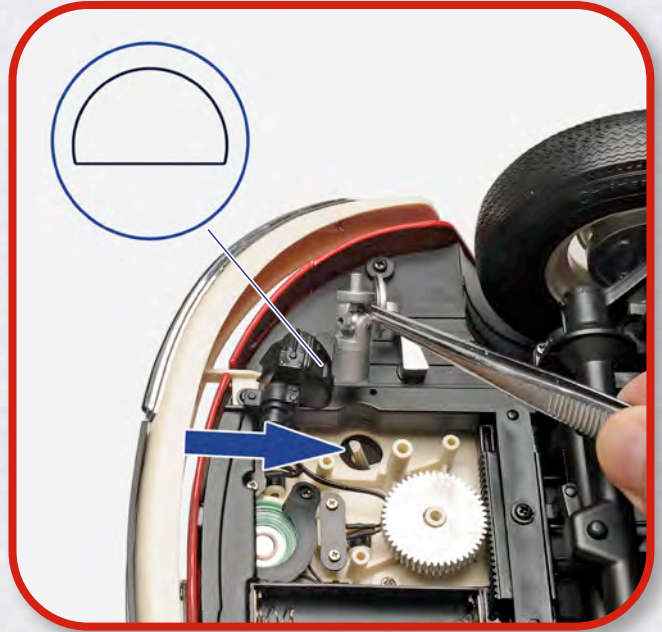
DIAGRAM





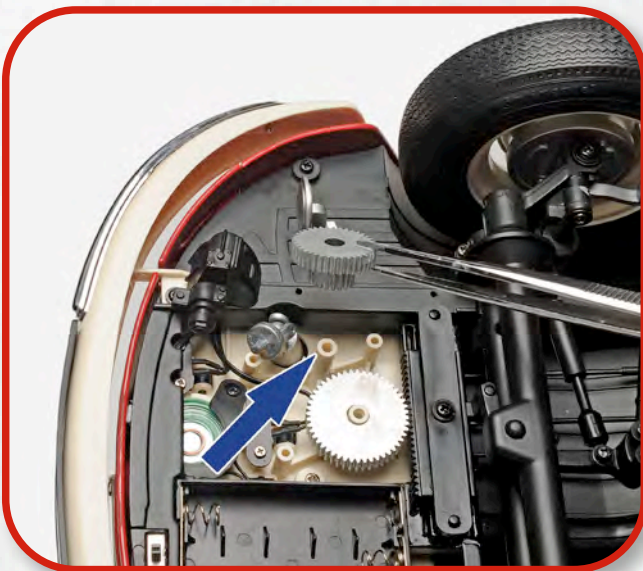
STEP 114-A

Turn the model over and fit the large gear (114-1) onto the indicated post. The teeth should engage with those of the steering rack.



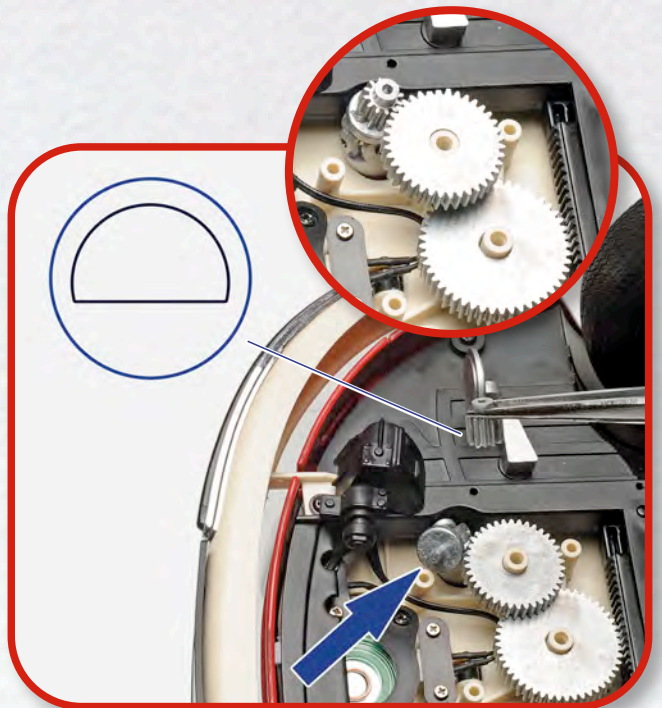
STEP 114-B

Place the joint (114-4) onto the end of the steering column, it will only fit in one orientation.



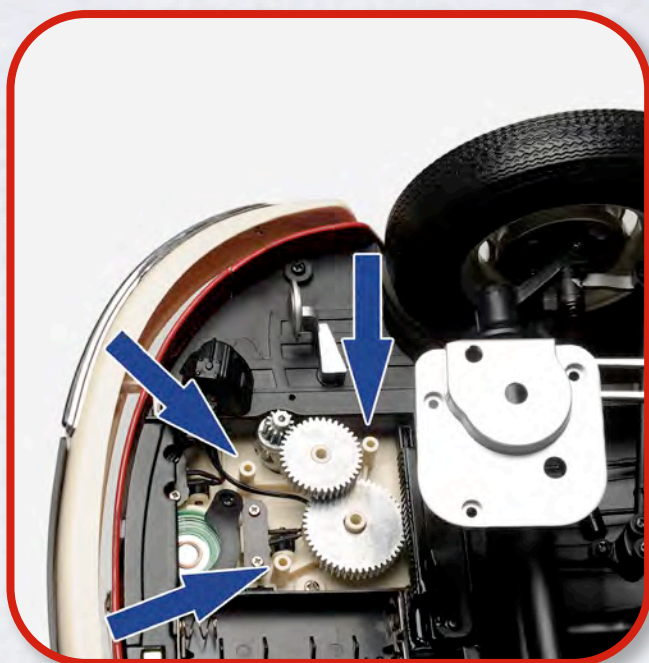
STEP 114-C

Mount the small gear (114-2) onto the indicated post, engaging the teeth with the large gear.



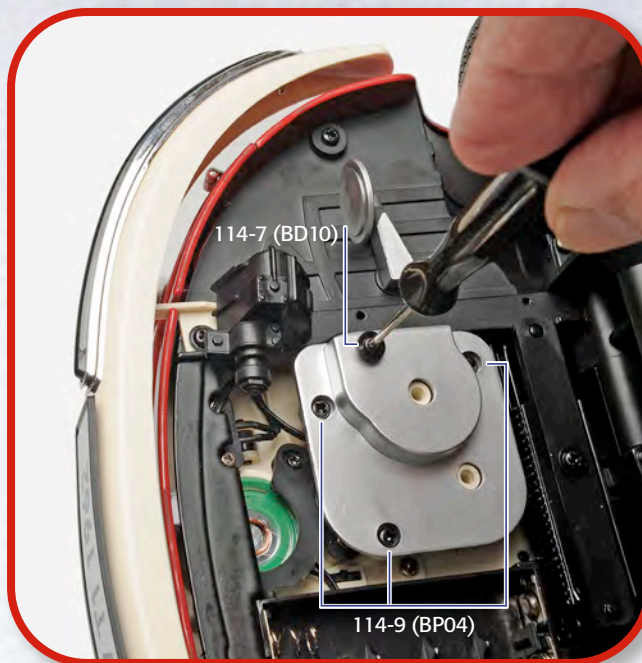
STEP 114-D

Check that the steering wheel is in the neutral position, then engage the pinion (114-3) with the end of the joint. It can only fit in one orientation. The teeth should engage with those of the small gear.



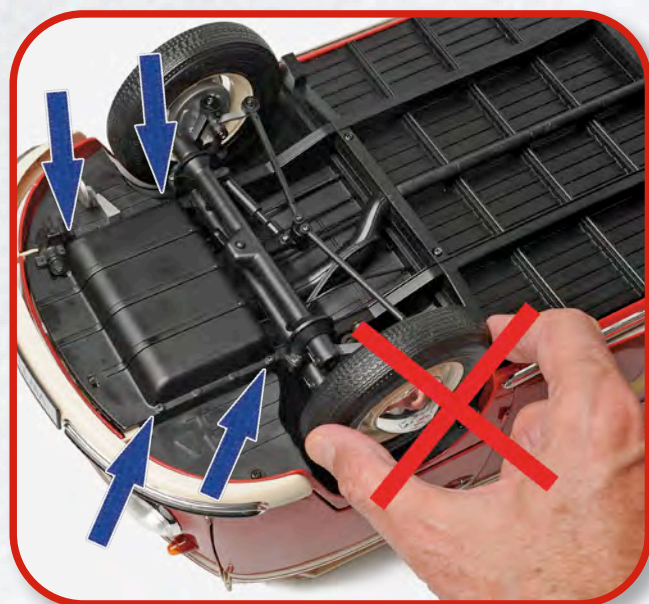
STEP 114-E

Place the gear case (114-5) over the gears, aligning the holes with the indicated posts.



STEP 114-F

Secure the gear case to the chassis with three BP04 screws (114-9). Tighten a BD10 screw (114-7) into the end of the pinion.



STEP 114-G

Place the lower front cover (114-6) over the gear case and secure it with four BD03 screws (114-8). Do not move the wheels with your hand as this can damage the steering system parts.



STEP 114-H

You should only turn the wheels using the steering wheel.

VW Samba



STAGE COMPLETE

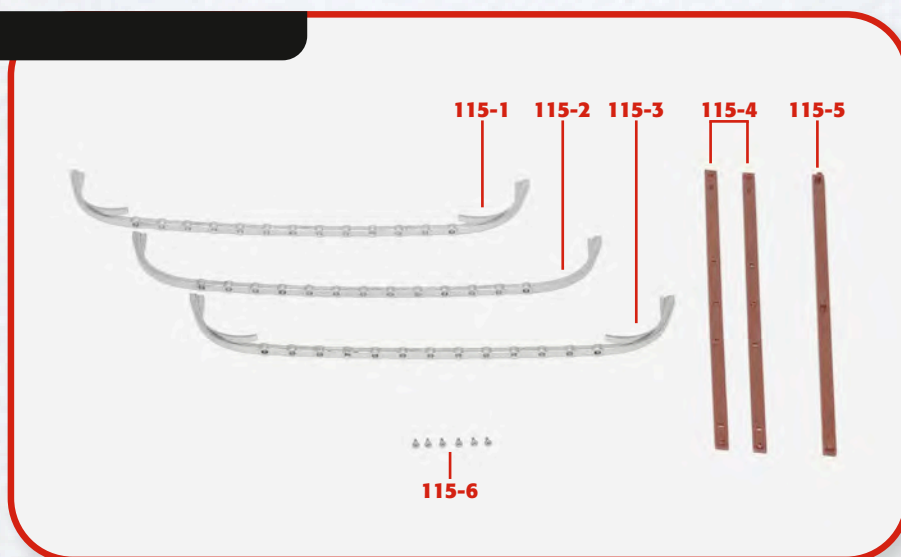
COMPLETE MODEL



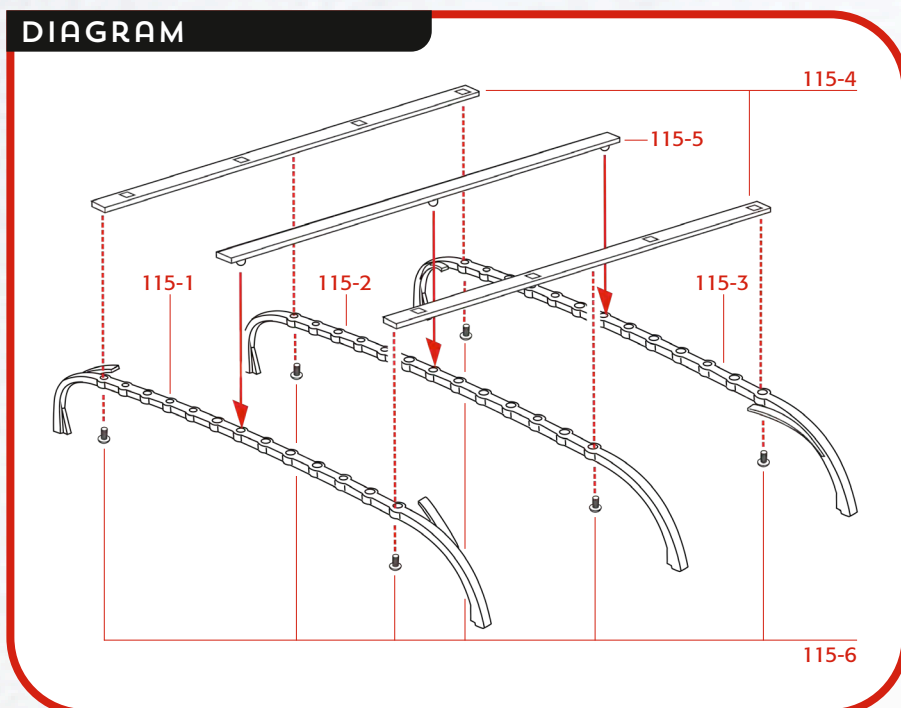
STAGE 115: LUGGAGE RACK

YOUR PARTS

- 115-1 Crossbar A
- 115-2 Crossbar B
- 115-3 Crossbar C
- 115-4 Longitudinal bars 1
- 115-5 Longitudinal bar 2
- 115-6 Screws 1.2 x 3.5mm (BP01)



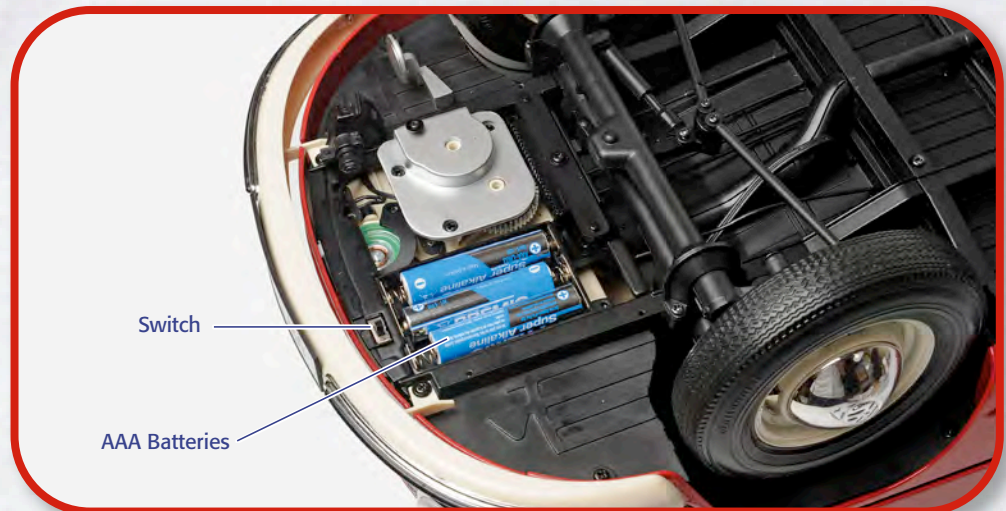
DIAGRAM



VW Samba

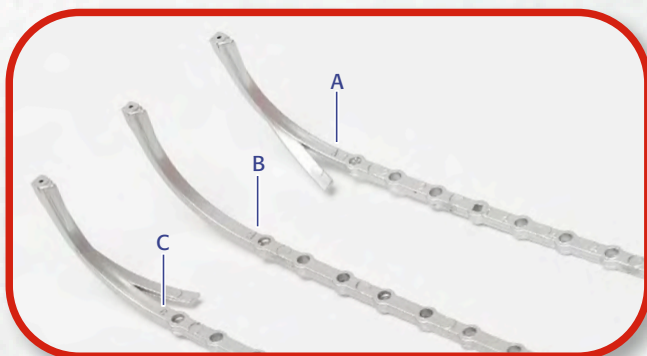
STEP 115-A

You should now check the electrical system of the VW Samba. Carefully turn the model over, remove the lower front cover, and install three AAA batteries (1.5 volts) into the battery box. Then turn the main switch to "ON".



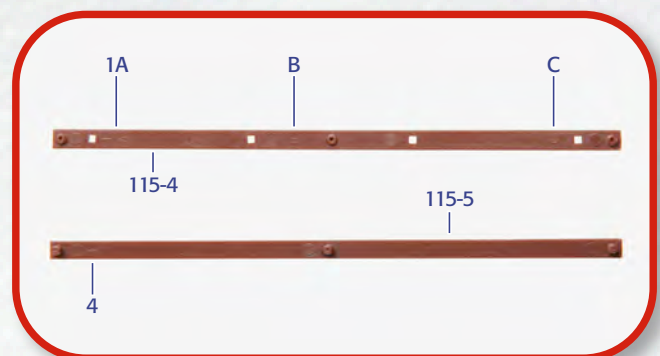
STEP 115-B

By activating the main switch, the headlights and rear lights will come on. The horn is heard when the switch is pressed, the brake lights come on by pressing the brake pedal and pressing on the accelerator pedal triggers the engine noise.



STEP 115-C

Before proceeding, identify the crossbars A (115-1), B (115-2) and C (115-3). Each of them is stamped with the an identifying letter.

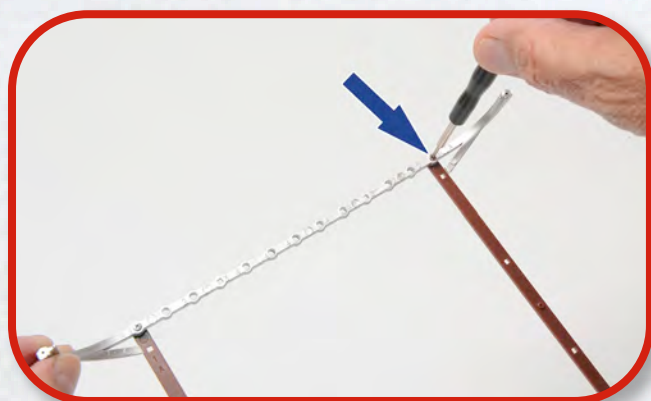
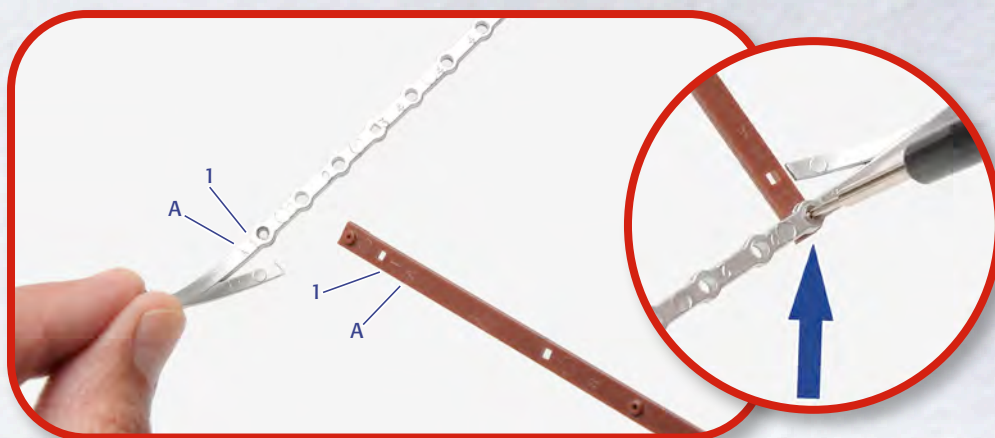


STEP 115-D

Now identify the longitudinal bars 1 (115-4) and 2 (115-5). They have identifying numbers and letters indicating their matching locations on the crossbars.

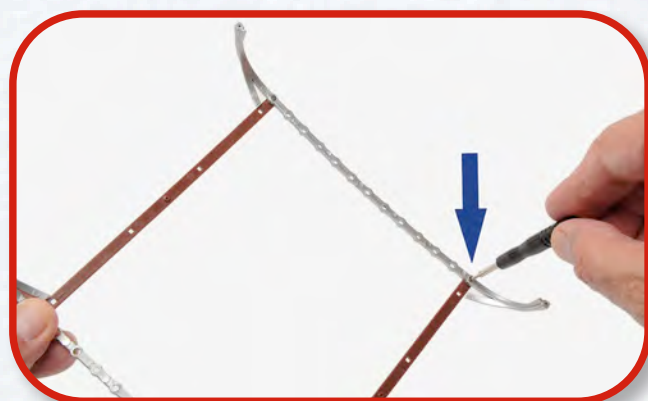
STEP 115-E

Place one of the longitudinal bars 1 (115-4) on crossbar A (115-1), inserting the post into the hole, as shown. Fix it in place with a BP01 screw (115-6).



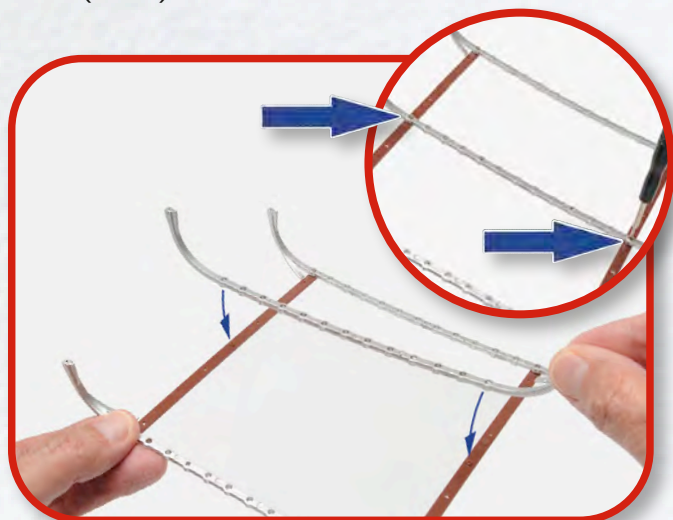
STEP 115-F

Fix the second longitudinal bar 1 (115-4) at the other end of the crossbar A with another screw BP01 (115-6).



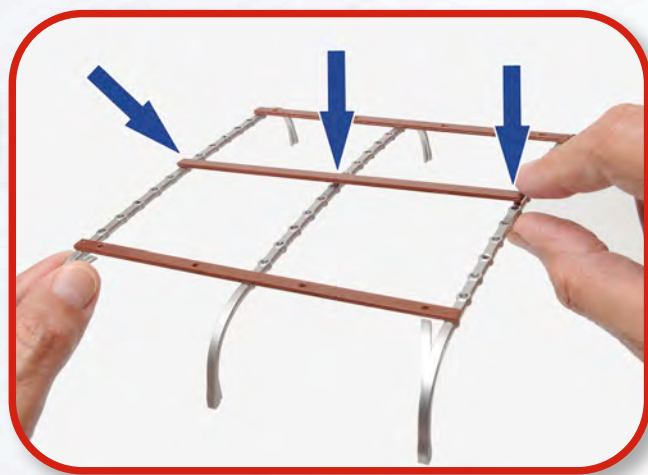
STEP 115-G

Engage crossbar C (115-3) with the other ends of the two longitudinal bars and secure with two BP01 screws (115-6).



STEP 115-H

Place crossbar B (115-2) in the centre of the two longitudinal bars, engaging the holes with the posts. Secure it with two BP01 screws (115-6).



STEP 115-I

Place longitudinal bar 2 (115-5) into position along the centre of the crossbars. Secure it with two BP01 screws (115-6).



STAGE COMPLETE

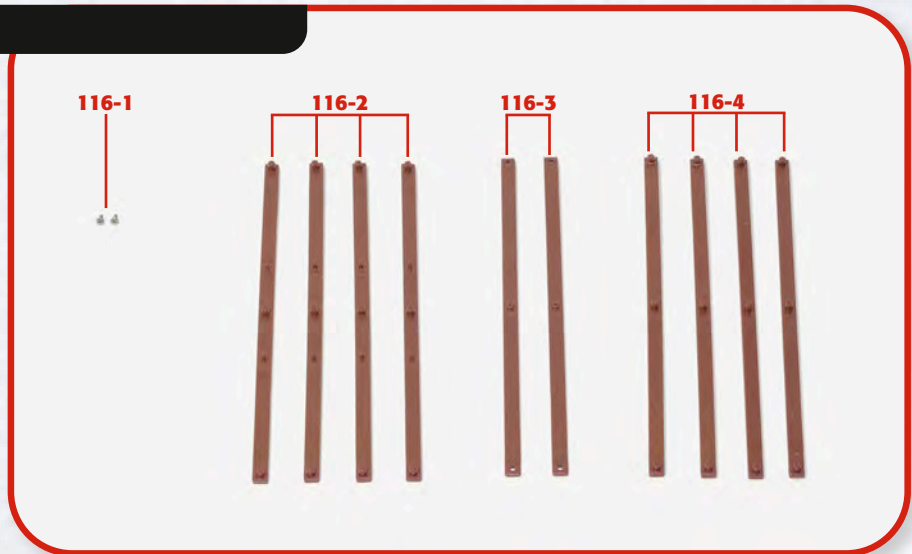
WHERE THE PARTS FIT



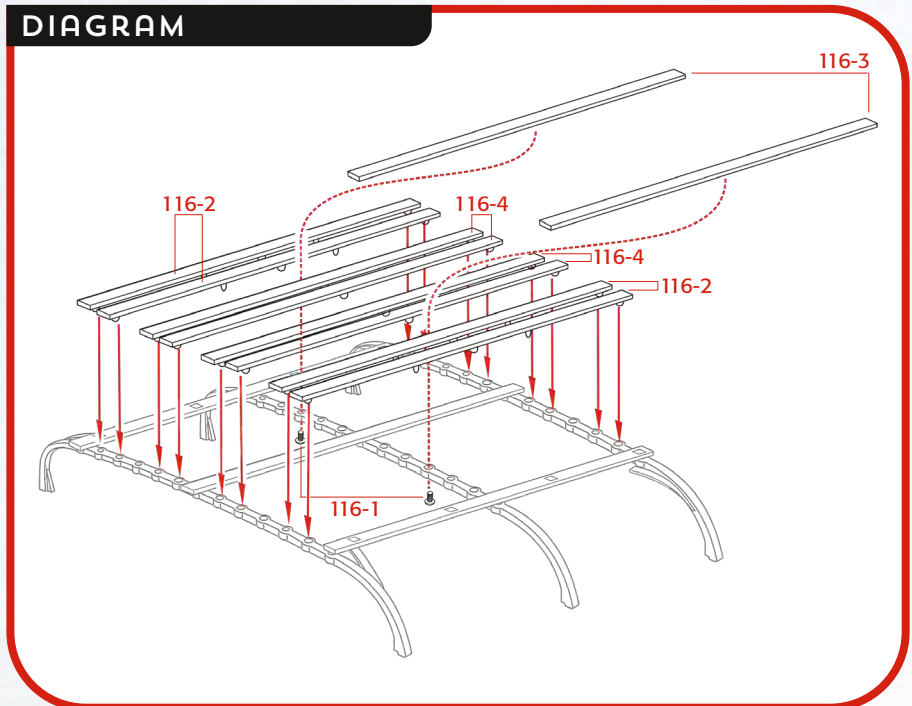
STAGE 116: LUGGAGE RACK (2)

YOUR PARTS

- 116-1 1.2 x 3.5mm screw (BP01)
- 116-2 Longitudinal bars 2
- 116-3 Longitudinal bars 3
- 116-4 Longitudinal bars 4



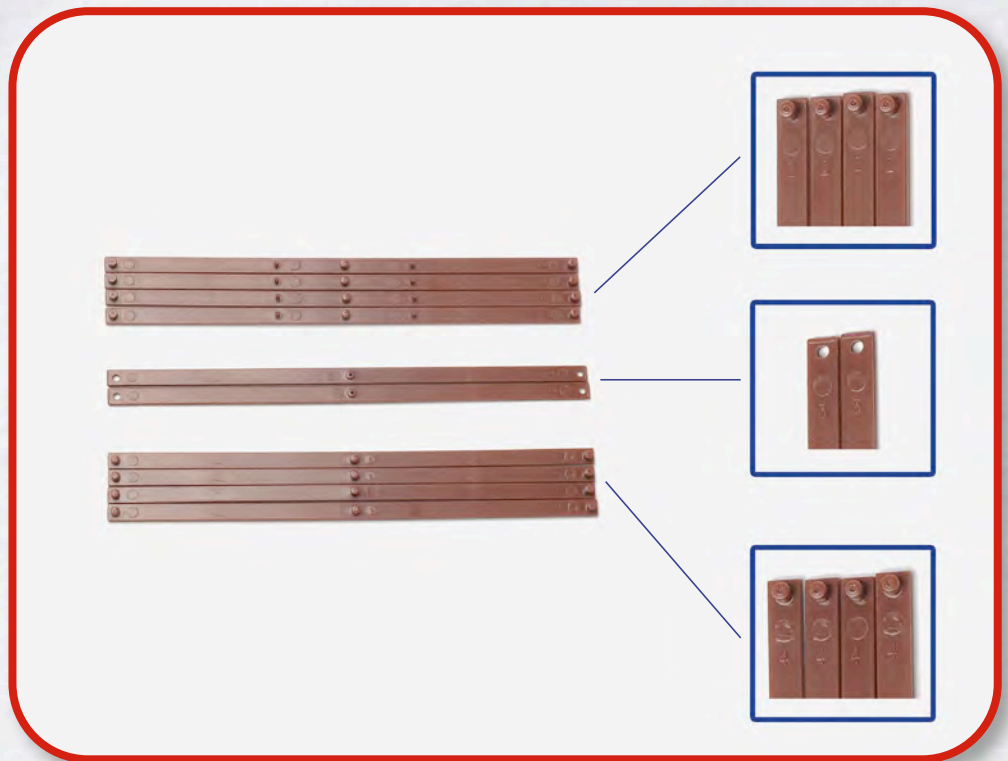
DIAGRAM



VW Samba

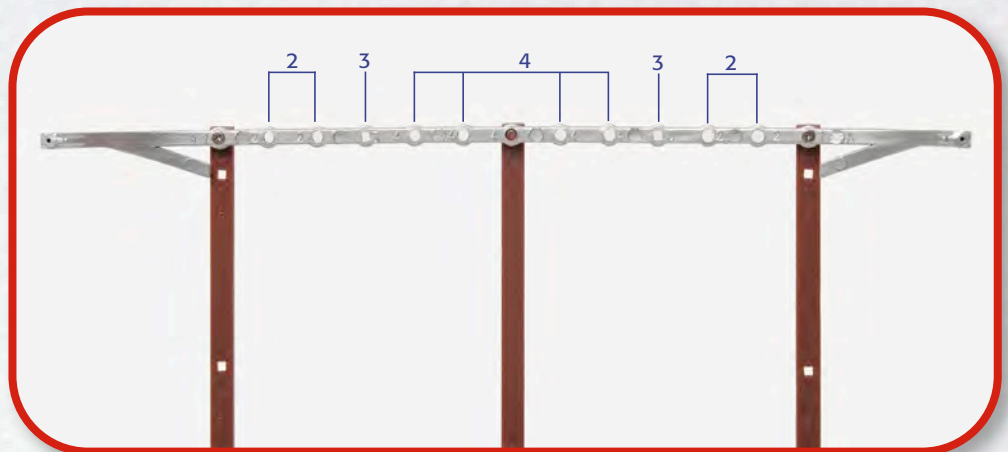
STEP 116-A

Separate the three types of longitudinal bars supplied in this stage. They all have identifying numbers (2, 3 and 4).



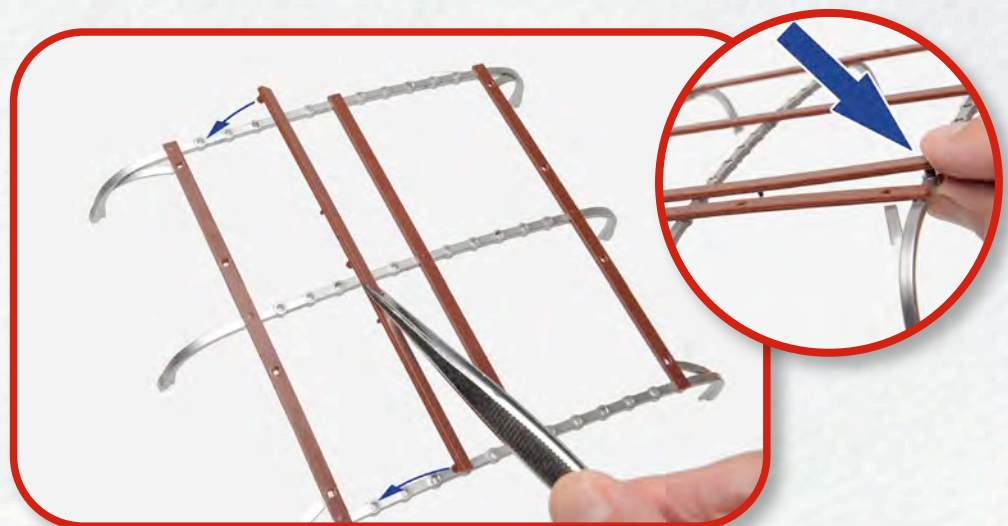
STEP 116-B

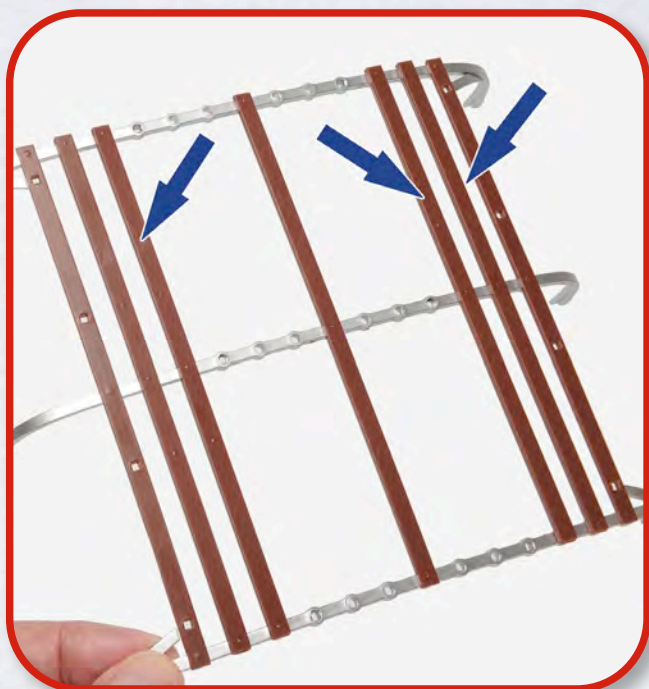
The holes in crossbar A all have identifying numbers that correspond to the longitudinal bars supplied with this stage.



STEP 116-C

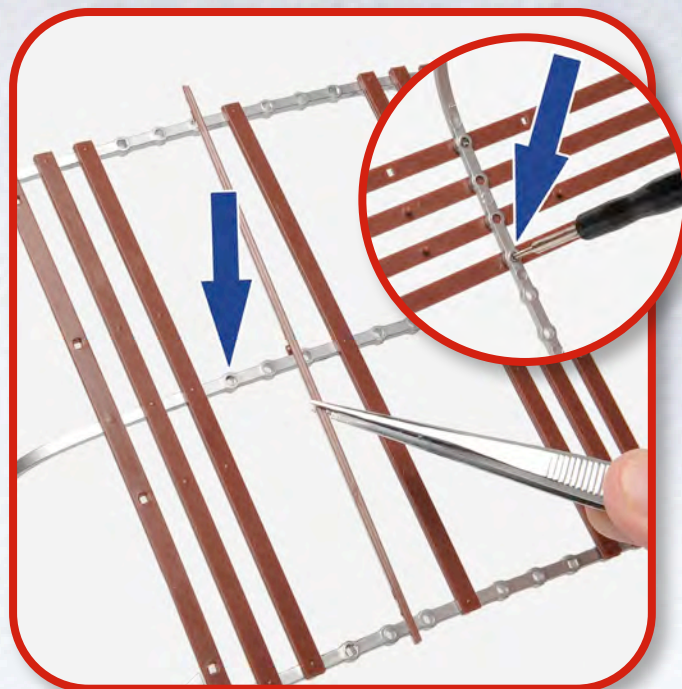
Place one of the longitudinal bars 2 (116-2) into the corresponding position in the crossbars. Press into position.





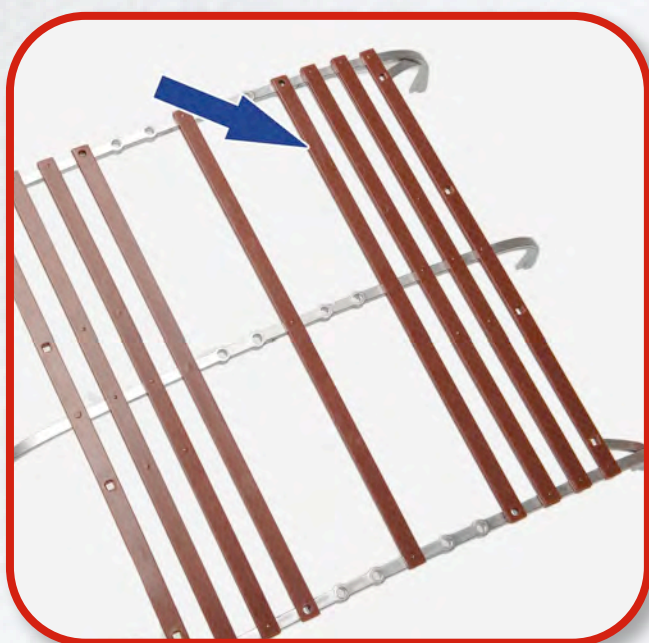
STEP 116-D

Place the other three longitudinal bars 2 (116-2) into the corresponding spaces.



STEP 116-E

Place one of the longitudinal bars 3 (116-3) into the corresponding location in the crossbars and fix it from below with a BP01 screw (116-1).



STEP 116-F

Place the other longitudinal bar 3 (116-3) in the corresponding position and fix it from below with a BP01 screw (116-1).



STEP 116-G

To finish, place the four longitudinal bars 4 (116-4) in the remaining free spaces on the crossbars, pressing them into place.

VW Samba



STAGE COMPLETE

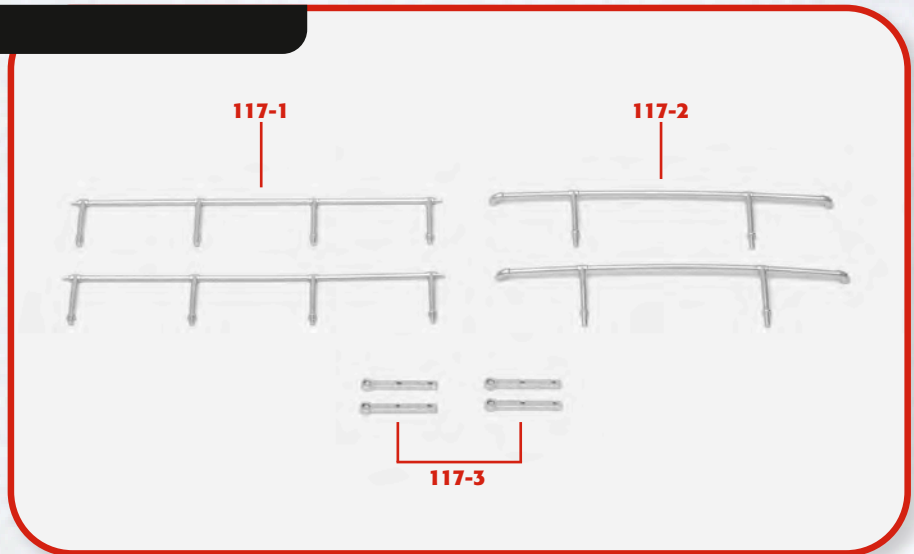
WHERE THE PARTS FIT



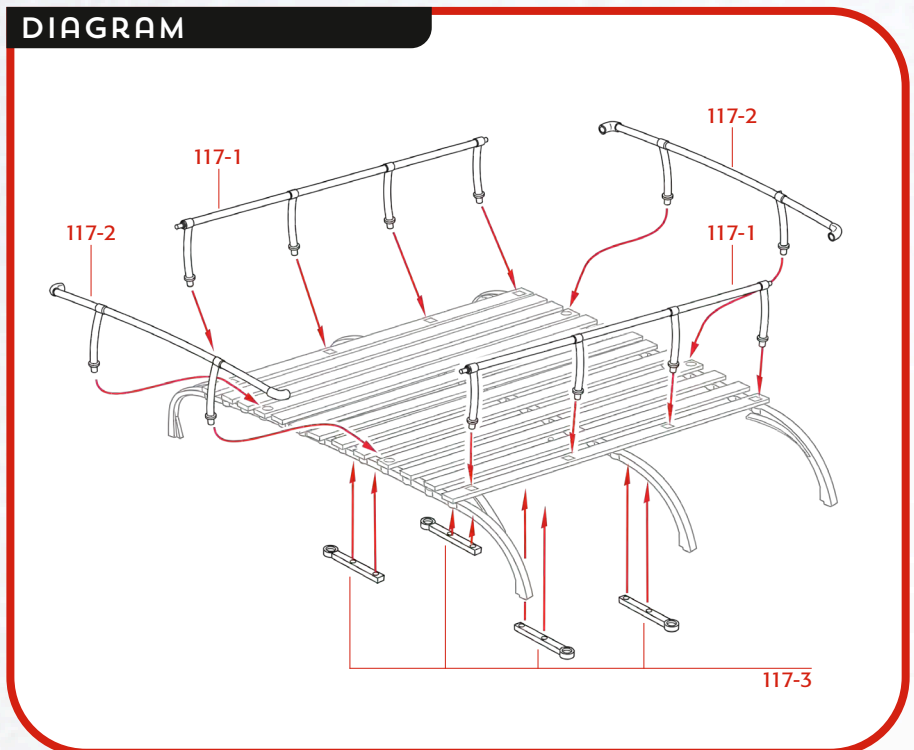
STAGE 117: LUGGAGE RACK (3)

YOUR PARTS

- 117-1 Side rails
- 117-2 Crossrails
- 117-3 Reinforcements



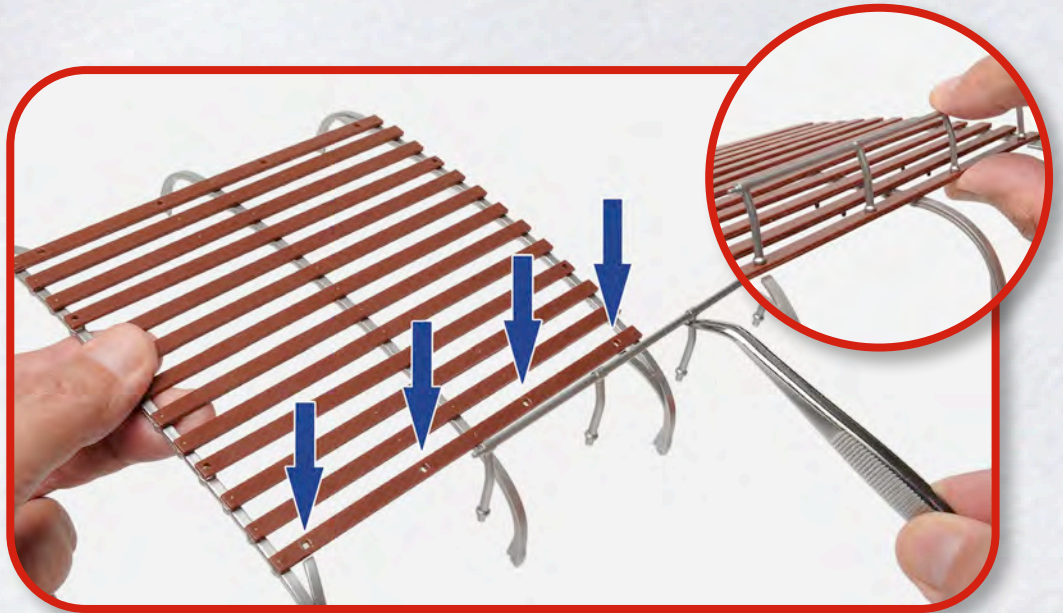
DIAGRAM



VW Samba

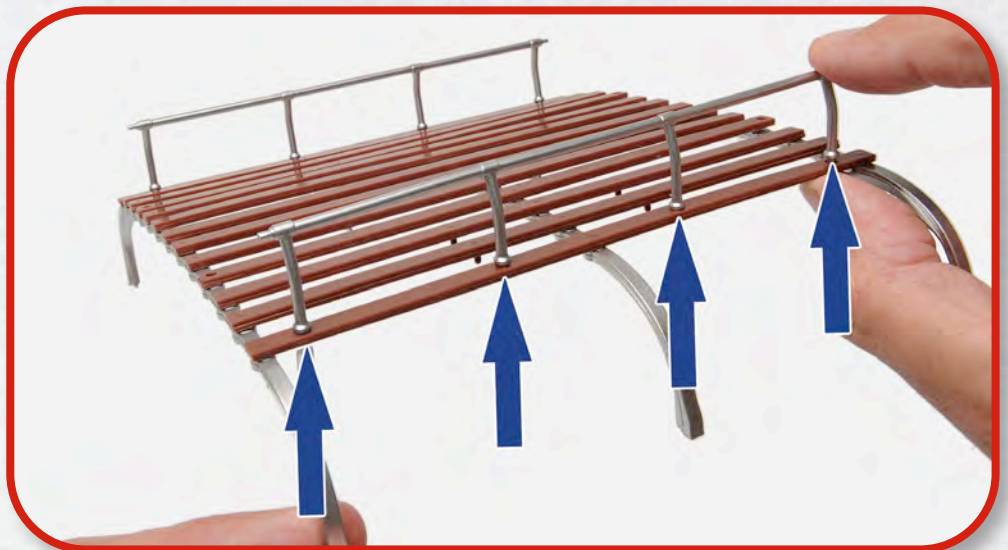
STEP 117-A

Insert the posts of one of the side rails (117-1) into the holes in the outer longitudinal bar. Press the rail into place.



STEP 117-B

Fit the other side railing (117-1) on the opposite side of the luggage rack.



STEP 117-C

Mount one of the crossrails (117-2) by inserting the posts into the indicated holes in the longitudinal bars.

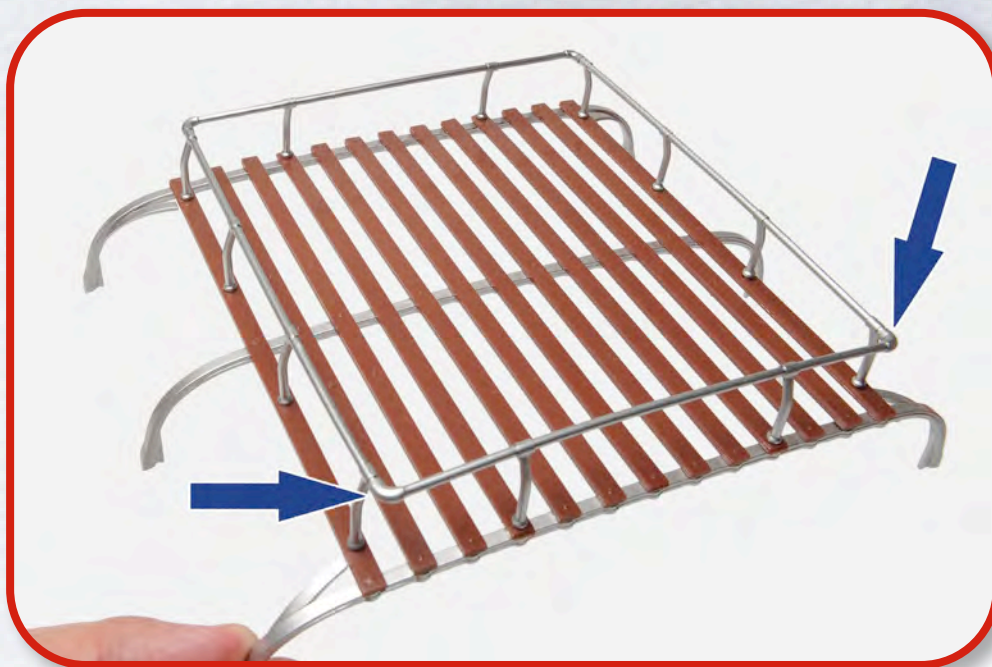


STEP 117-D

Insert the ends of the side rails into the ends of the crossrail.

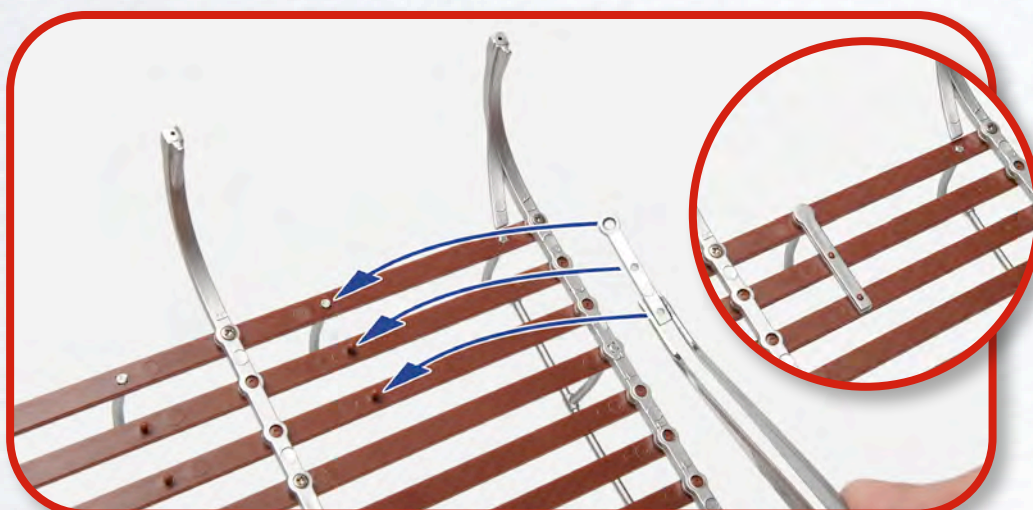
STEP 117-E

Install the second crossrail (117-2) at the other end of the luggage rack, engaging it with the side rails.



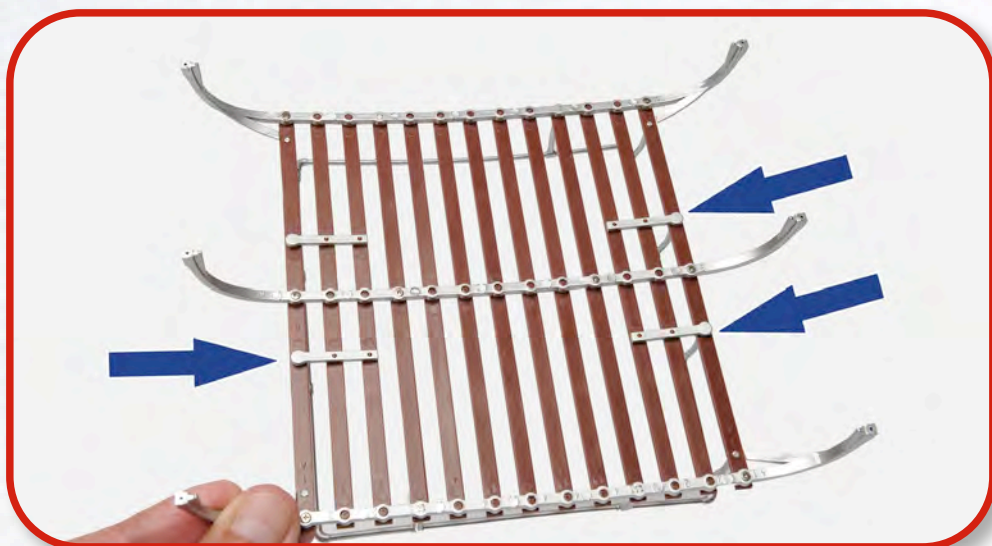
STEP 117-F

Turn the rack over and, from below, mount one of the reinforcements (117-3), fitting it onto the indicated pins.



STEP 117-G

Fit the other three reinforcements (117-3) in the same way, at the positions shown.



VW Samba



STAGE COMPLETE

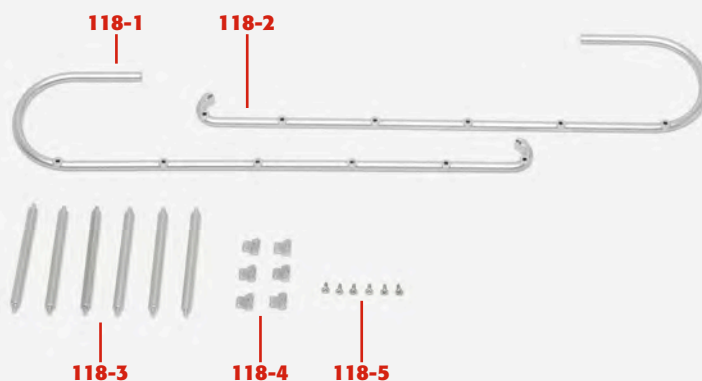
WHERE THE PARTS FIT



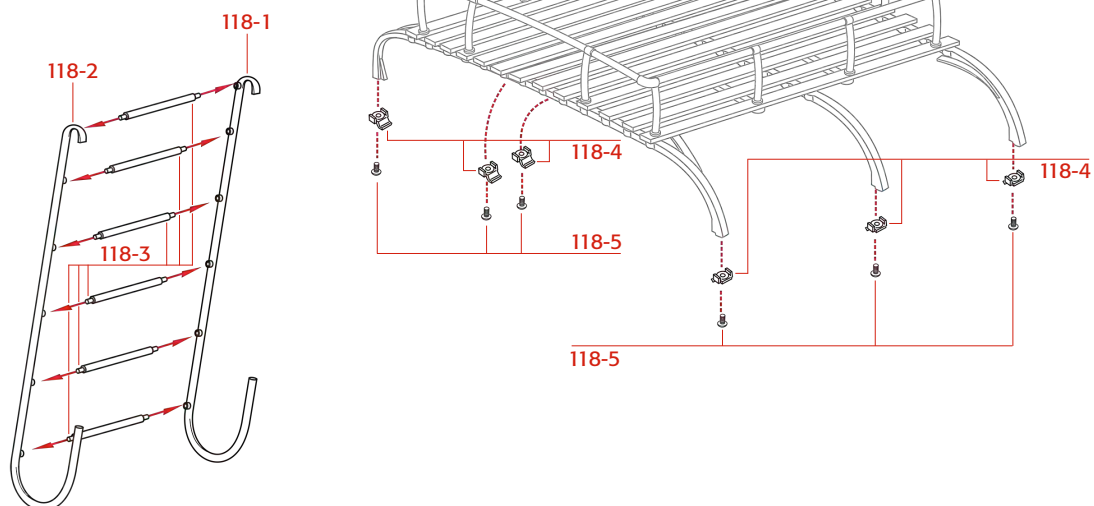
STAGE 118: THE LADDER

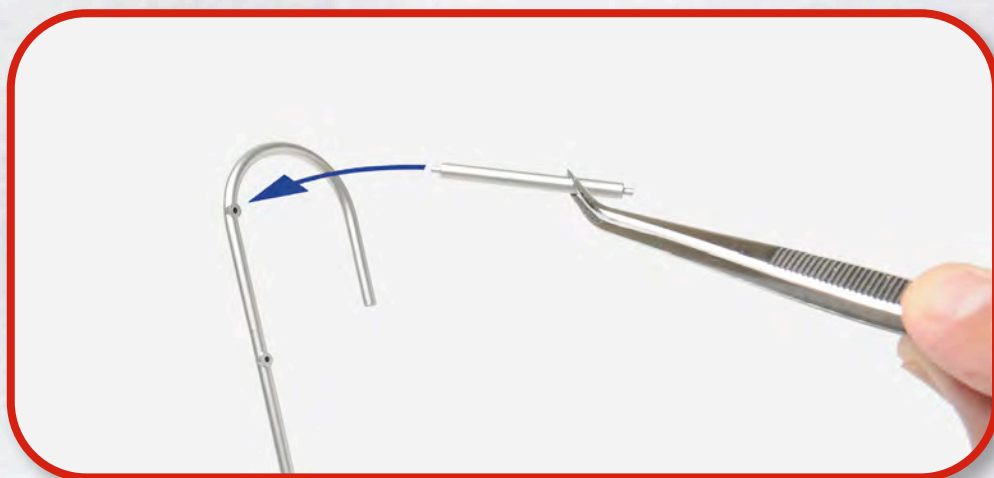
YOUR PARTS

- 118-1 Right ladder side
- 118-2 Left ladder side
- 118-3 Rungs
- 118-4 Luggage rack mounting brackets
- 118-5 Screws 1.2 x 3.5mm (BP01)



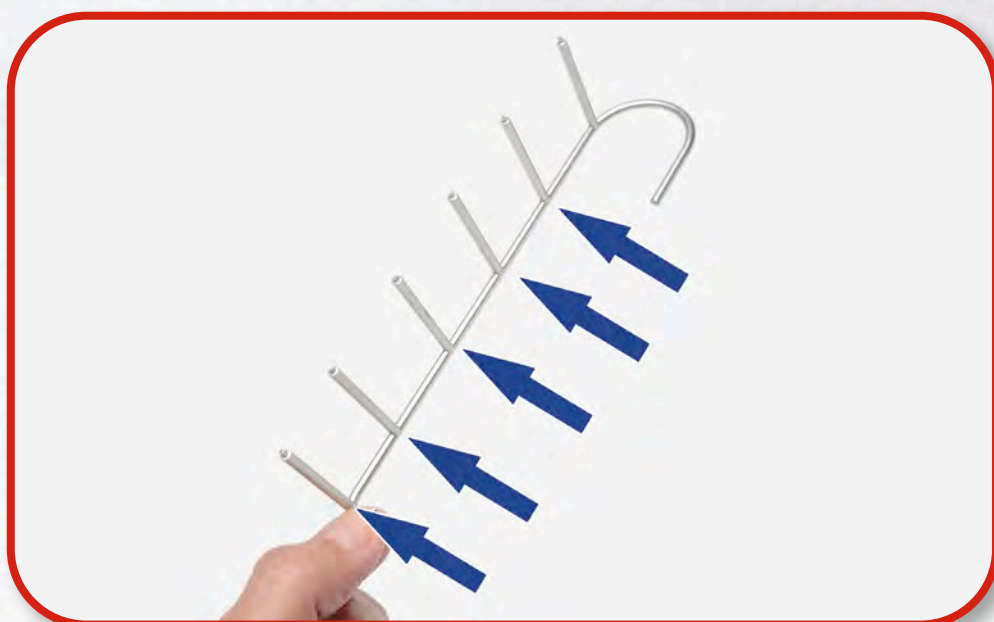
DIAGRAM





STEP 118-A

Push one of the rungs (118-3) into the lowest hole in the right ladder side (118-1).



STEP 118-B

Fit the rest of the rungs into the right ladder side.

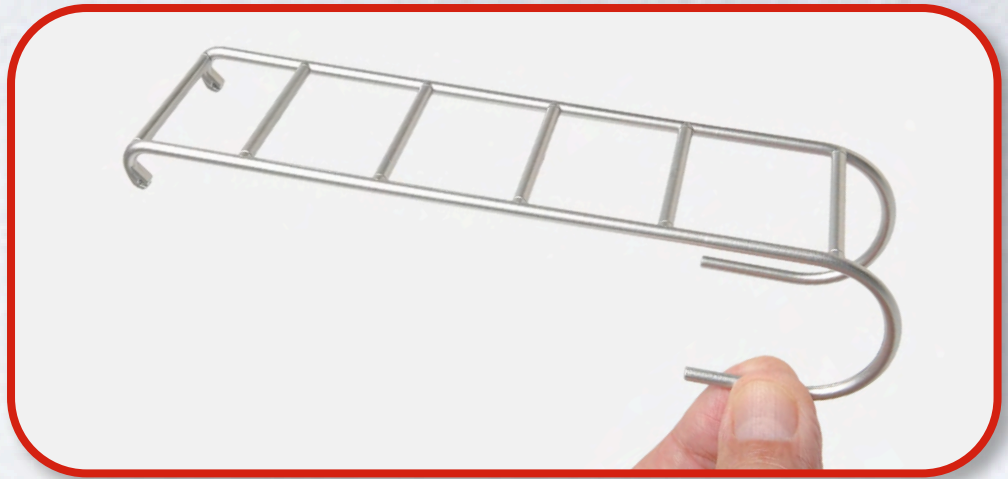


STEP 118-C

Fit the left ladder side (118-2) onto the free ends of the rungs.

STEP 118-D

The assembled ladder should look like this.



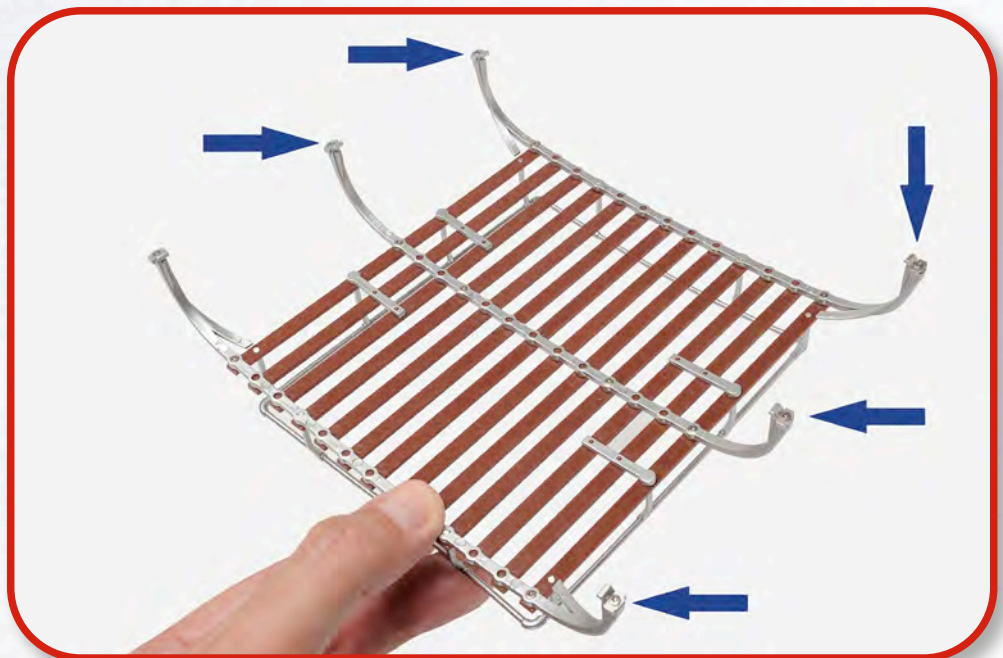
STEP 118-E

Push one of the luggage rack mounting brackets (118-4) onto the end of one of the luggage rack crossbars. Secure it with a BP01 screw (118-5).



STEP 118-F

Fit the rest of the mounting brackets (118-4) to the ends of the rest of the crossbars with BP01 screws (118-5).





STAGE COMPLETE

WHERE THE PARTS FIT



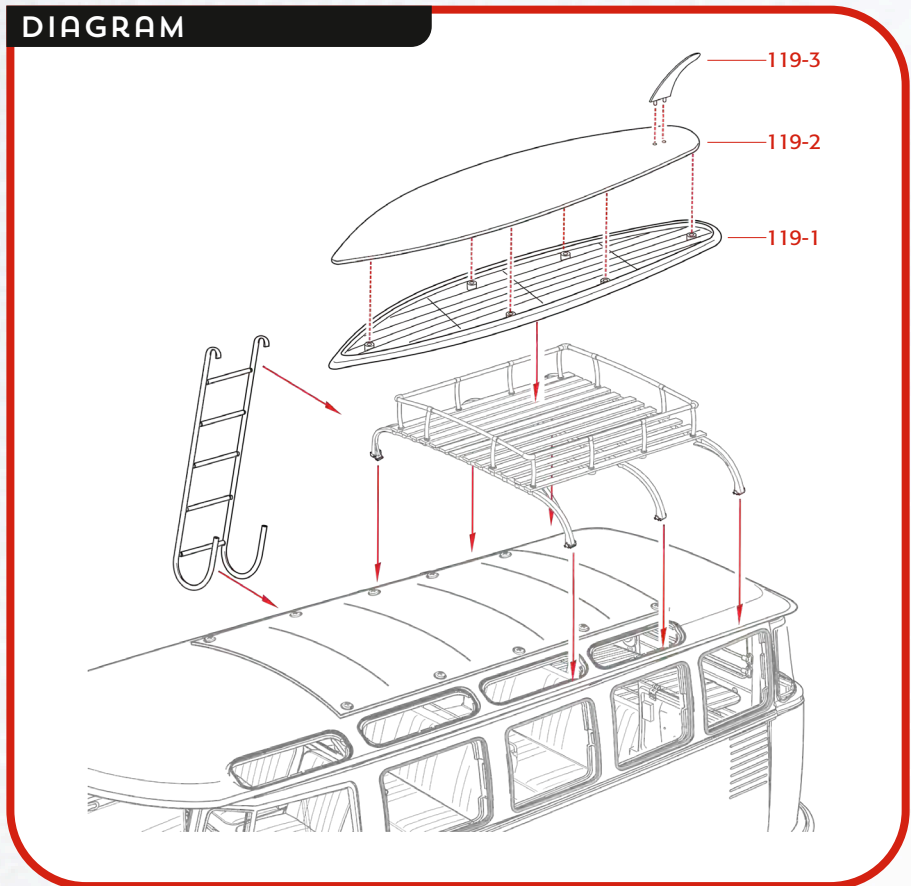
STAGE 119: THE SURFBOARD

YOUR PARTS

- 119-1 Surfboard upper
- 119-2 Surfboard lower
- 119-3 Surfboard fin

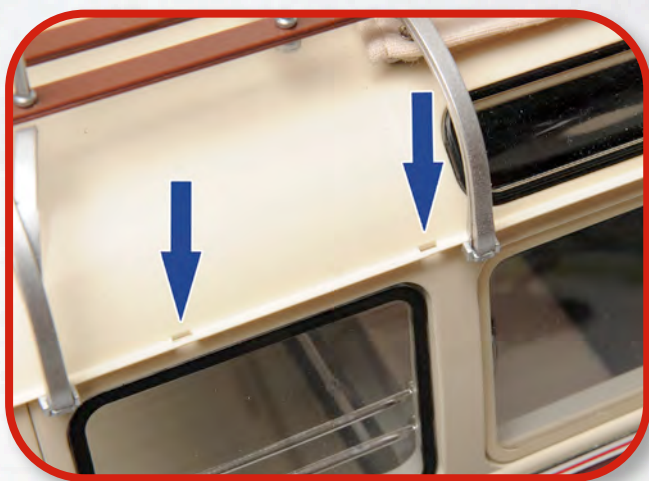
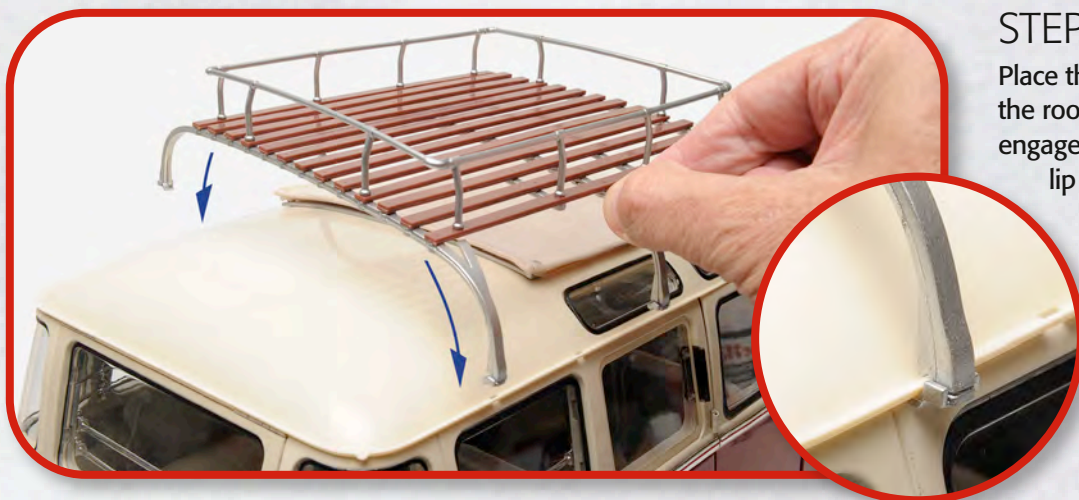


DIAGRAM



STEP 119-A

Place the luggage rack onto the roof so that the brackets engage with the holes in the lip around the roof.



STEP 119-B

Locate the two holes in the lip indicated here.



STEP 119-C

Fit the lower ends of the ladder up under the right rear wheel arch. Lift the ladder up and then insert the tops of the ladder into the two holes identified in the previous step.

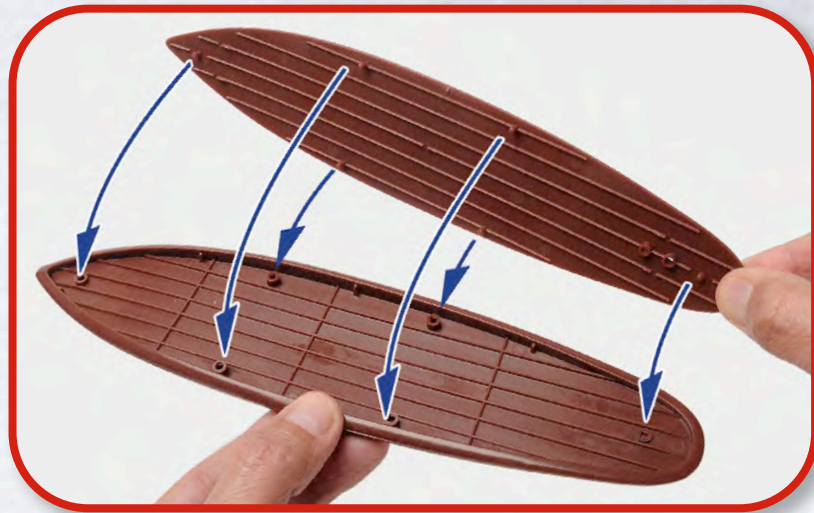


STEP 119-D

Here is how the ladder should look when properly placed.

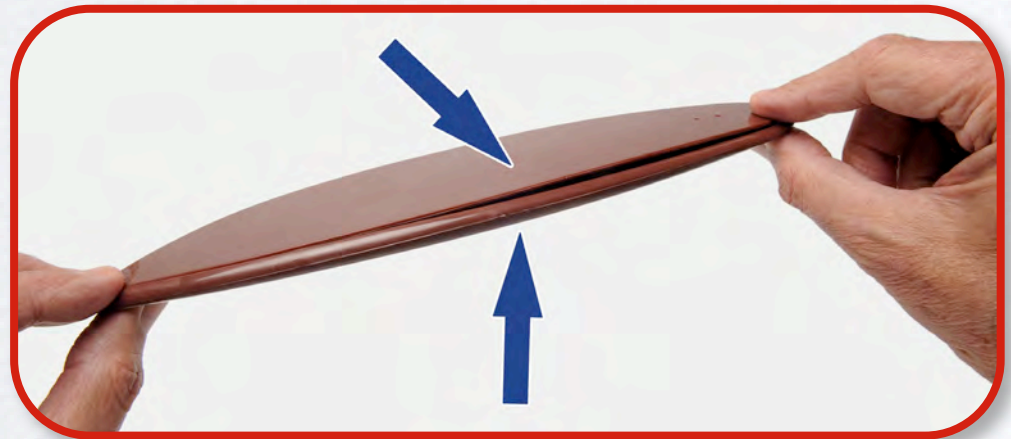
STEP 119-E

Align the pins and posts of the upper and lower halves of the surfboard (119-1 and 119-2).



STEP 119-F

Press the two parts of the surfboard together.



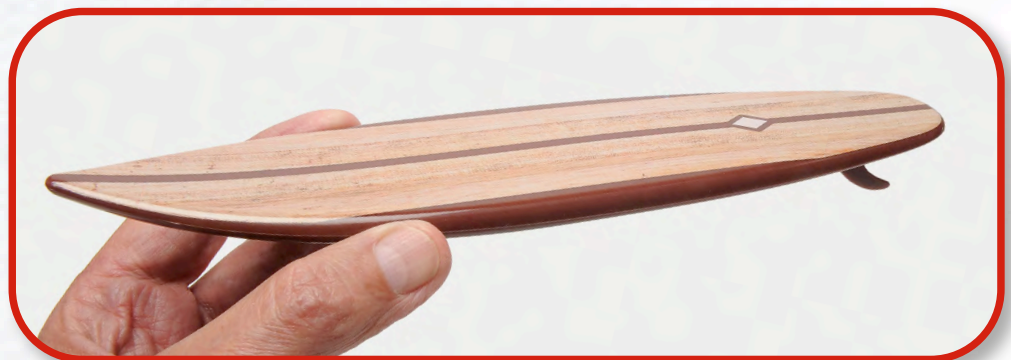
STEP 119-G

Insert the pins of the fin (119-3) into the holes in the bottom of the surfboard, as shown.



STEP 119-H

Here is how the surfboard should look when assembled.



VW Samba



STAGE COMPLETE

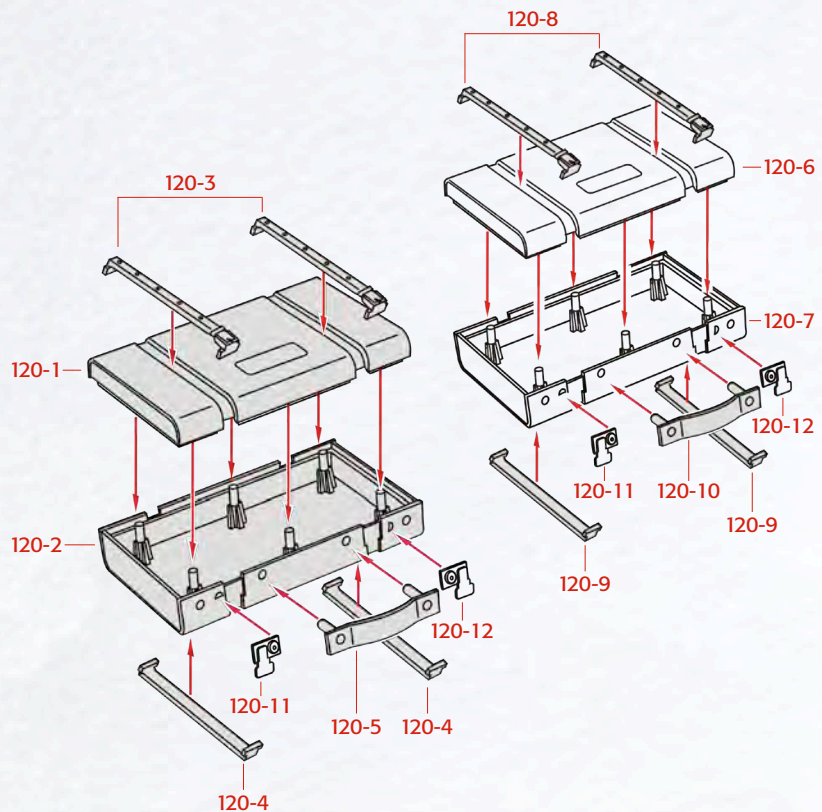
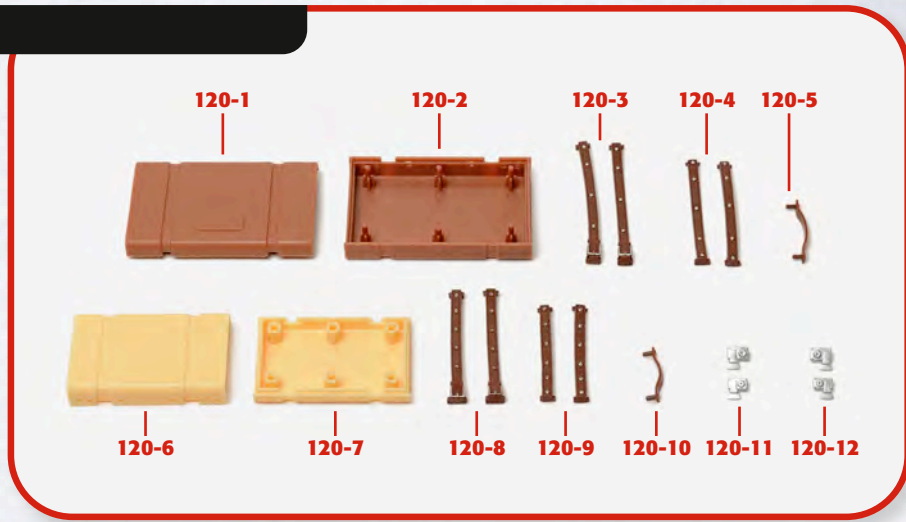
WHERE THE PARTS FIT



STAGE 120: THE LUGGAGE

YOUR PARTS

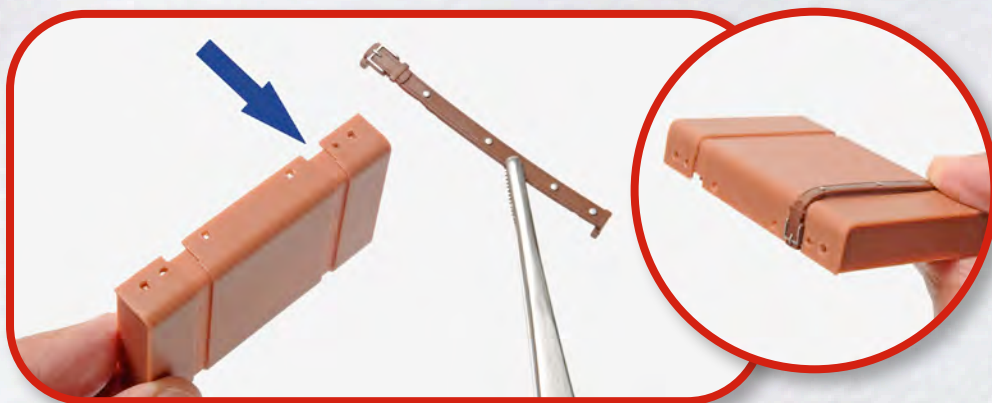
- 120-1 Large suitcase upper
- 120-2 Large suitcase lower
- 120-3 Large suitcase upper straps
- 120-4 Large suitcase lower straps
- 120-5 Large suitcase handle
- 120-6 Small suitcase upper
- 120-7 Small suitcase lower
- 120-8 Small suitcase upper straps
- 120-9 Small suitcase lower straps
- 120-10 Small suitcase handle
- 120-11 Left locks
- 120-12 Right locks



VW Samba

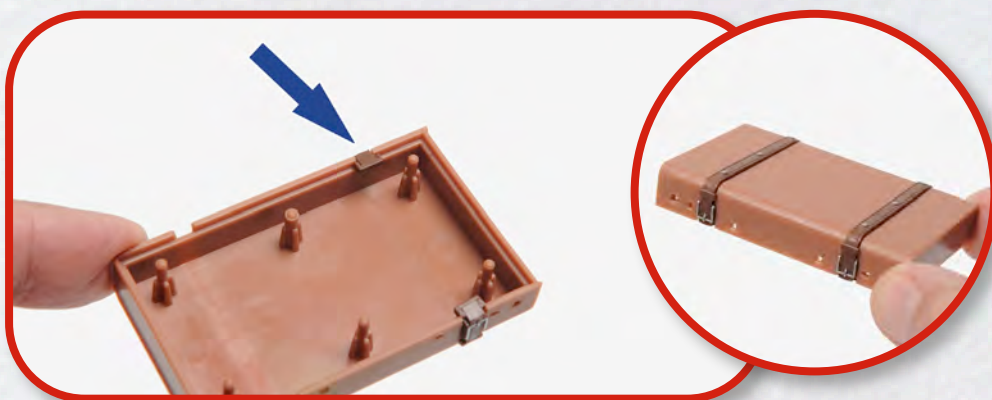
STEP 120-A

Place the buckle end of one of the large suitcase upper straps (120-3) into the indicated slot in the large suitcase upper (120-1). Pass the strap around the case, in the groove.



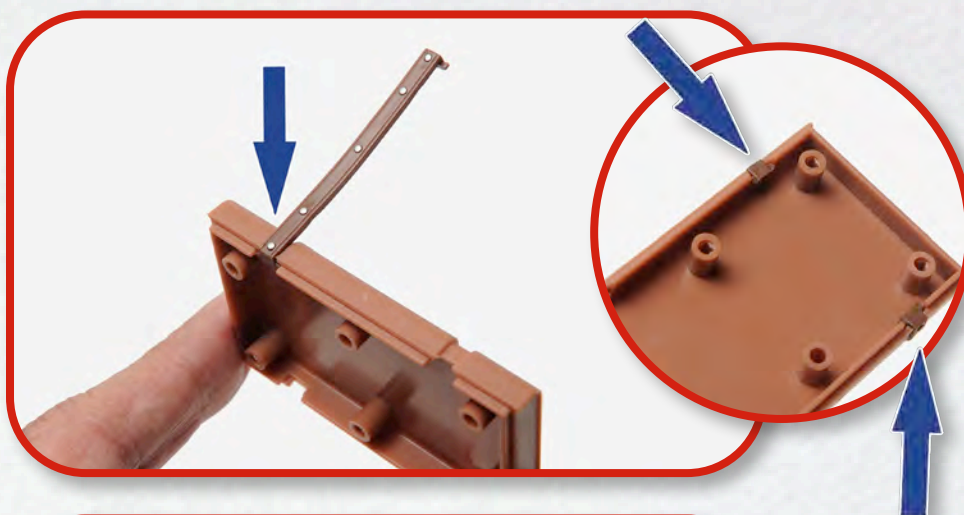
STEP 120-B

Pull the strap tight and engage its other end in the slot on the other side of the case. Repeat this process with the second upper strap (120-3), as shown.



STEP 120-C

Place one of the large suitcase lower straps (120-4) around the large suitcase lower (120-2), engaging its ends in the indicated slots.



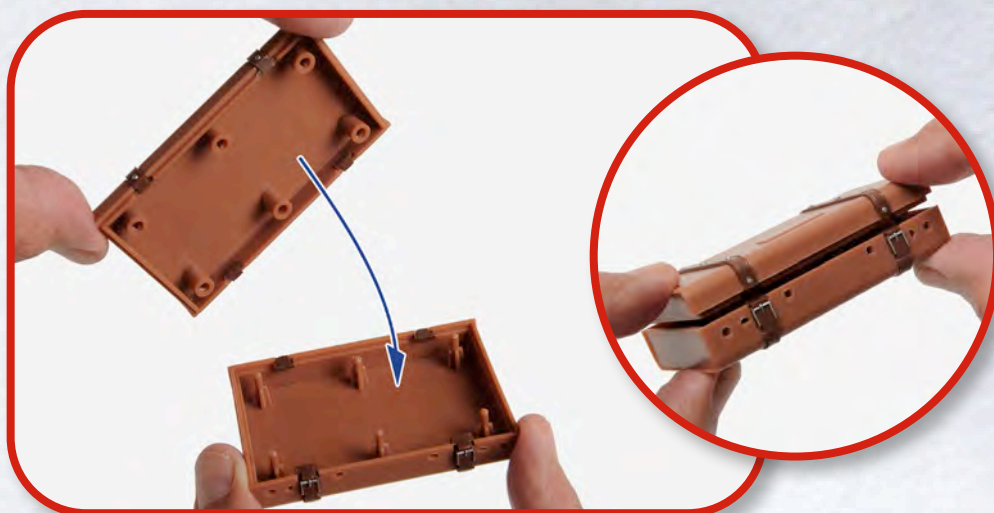
STEP 120-D

Place the second large suitcase lower strap (120-4) around the case in the same way.



STEP 120-E

Align the posts of the suitcase upper with the holes in the suitcase lower and press the two parts together.



STEP 120-F

Mount one of the right locks (120-12) into the two indicated holes in the large suitcase. The locks can only be positioned in one orientation.



STEP 120-G

Place one of the left locks (120-11) into the holes at the other end of the large suitcase in the same way.



STEP 120-H

Finally, insert the pins of the large handle (120-5) into the two indicated holes in the case.



STEP 120-I

Repeat the process described in the previous steps to assemble all the small suitcase, as shown.



STEP 120-J

Take the two suitcases and surfboard (Stage 119) and mount them onto the luggage rack.

CONGRATULATIONS YOU HAVE NOW COMPLETED YOUR MODEL!

